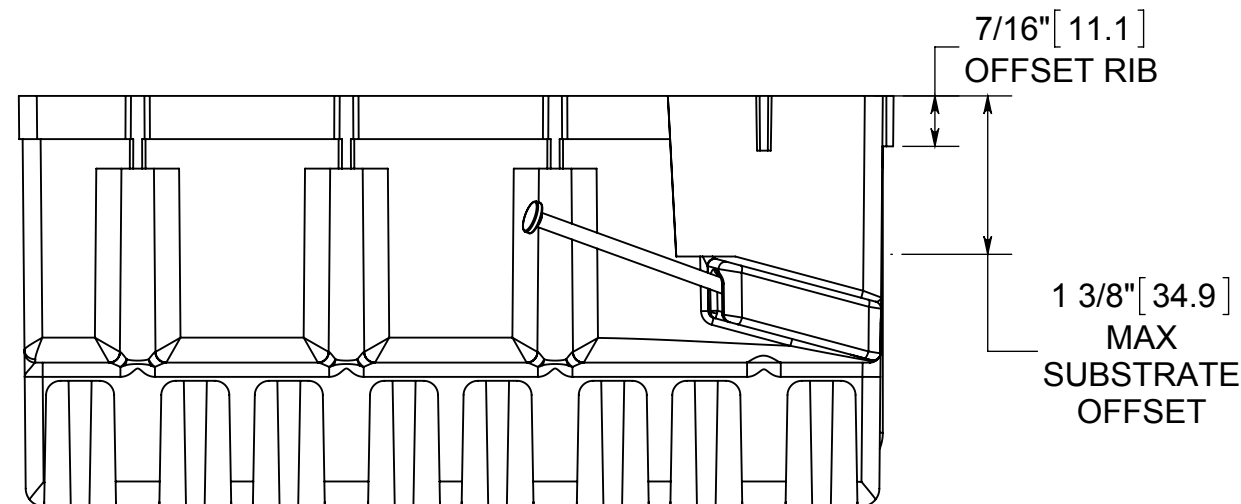
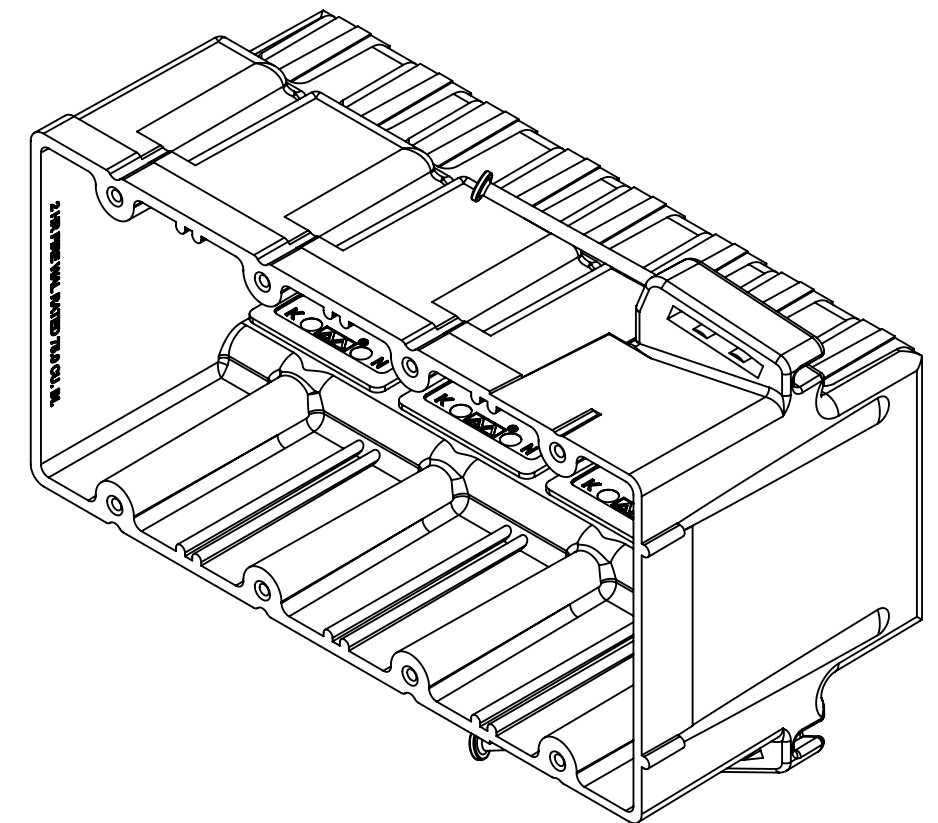
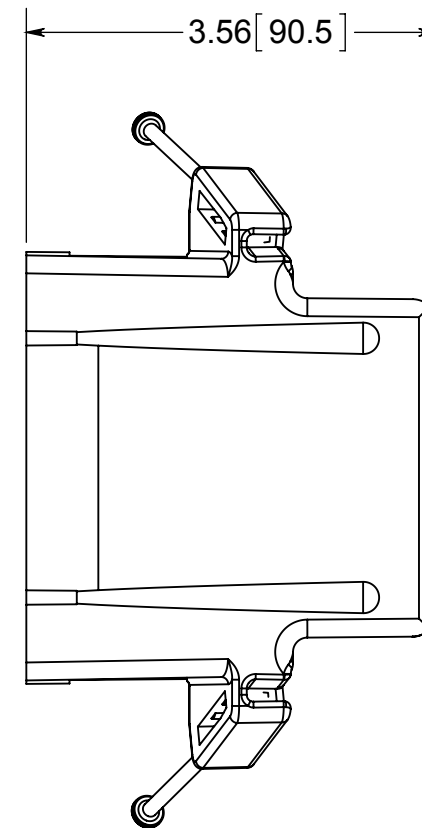
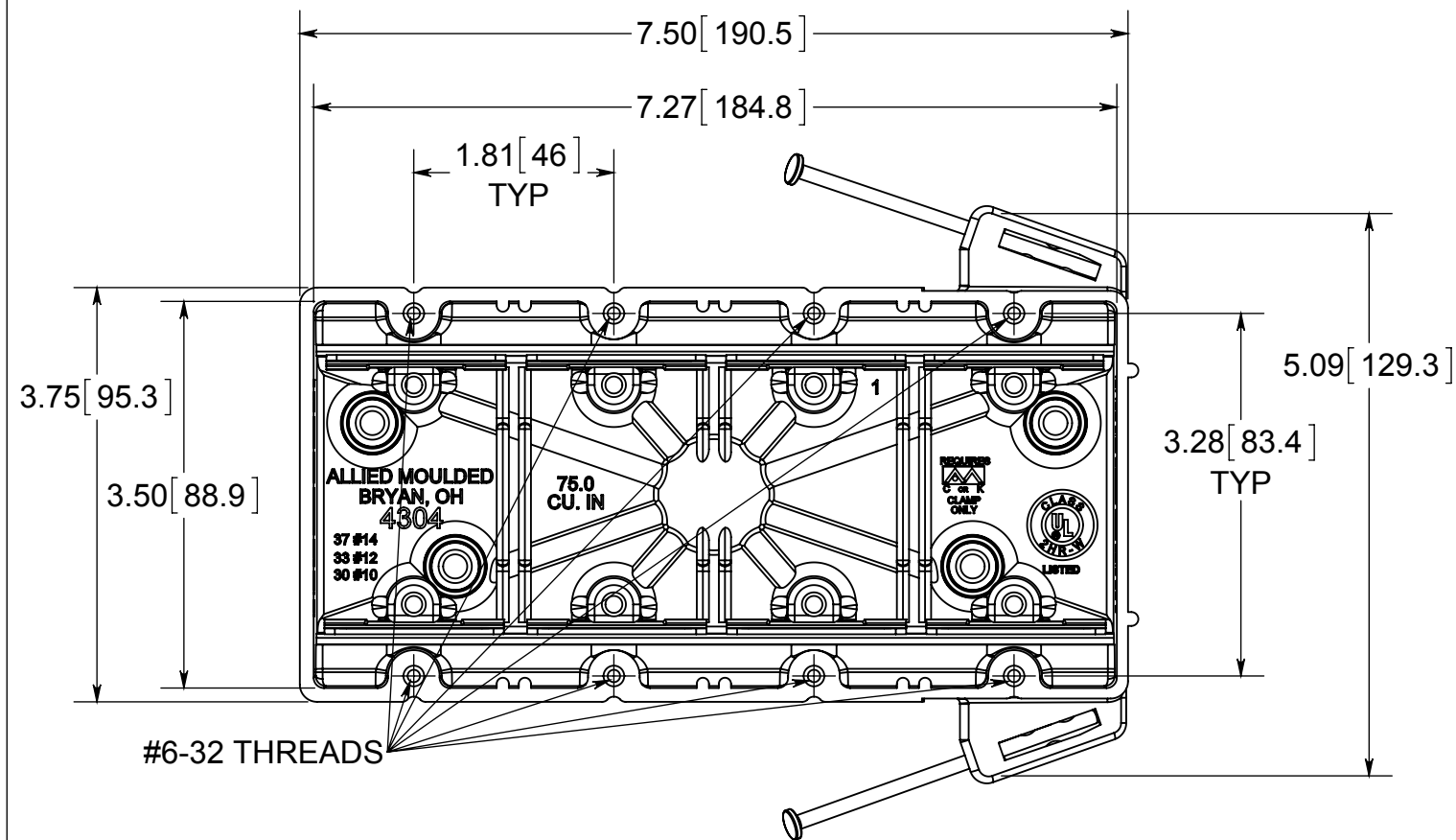


# fiberglass BOX™



**NOTES:**

- 1.) BOX MATERIAL: FIBERGLASS REINFORCED POLYESTER, NAIL MATERIAL: PLATED CARBON STEEL, SPEED KLAMP MATERIAL: PVC
- 2.) UL LISTED WITH 2 HOUR FIRE RATING FOR WALL
- 3.) 8 SPEED KLAMPS FACTORY INSTALLED
- 4.) ACCEPTS LVP-1 LOW VOLTAGE PARTITION



® **ALLIED MOULDED PRODUCTS**  
BRYAN, OHIO

The Original Fiber Glass Outlet Box

PRODUCT SERIES

FOUR GANG 75.0 CU.IN.

Part No.

**4304-NK**

**CONFIDENTIAL**

THIS MATERIAL IS OWNED BY THE ALLIED MOULDED PRODUCTS COMPANY, IS DISCLOSED IN CONFIDENCE, AND IS NOT TO BE REPRODUCED OR DISTRIBUTED WITHOUT PRIOR WRITTEN PERMISSION FROM ALLIED MOULDED PRODUCTS.