

DRAWING NO.
SC210991

CATALOG NO.	WIRE RANGE (AWG/kcmil)	L	W	H	HEX KEY	N	TORQUE IN/LB
BIT4	#14-#4	1.08 [27]	1.16 [29]	1.25 [32]	1/8	2	45
BIT2/0	#14-2/0	1.52 [39]	1.40 [36]	1.38 [35]	3/16	2	120
BIT250	#10-250	2.03 [52]	2.07 [53]	2.13 [54]	5/16	2	275
BIT350	#10-350	2.22 [56]	2.32 [59]	2.50 [64]	5/16	2	
BIT600	#4-600	2.72 [69]	2.38 [60]	2.75 [70]	3/8	2	375
BIT750	#2-750	2.87 [73]	2.70 [69]	3.00 [76]	3/8	2	

REV	DATE	DESCRIPTION	ECO	BY	C'H'K.
B	12/13/2012 00:00:00 AM	TORQUE INFORMATION ADDED	29767	RG	MA

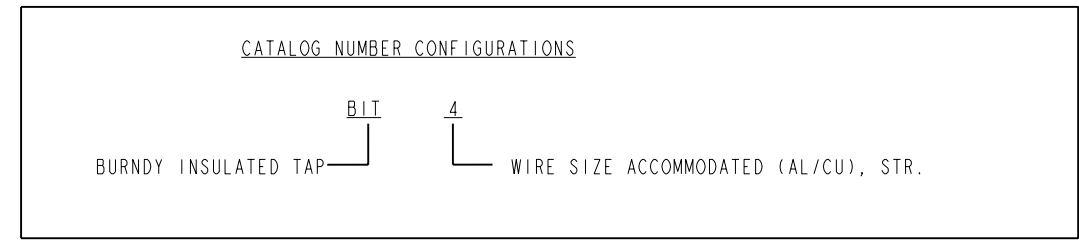
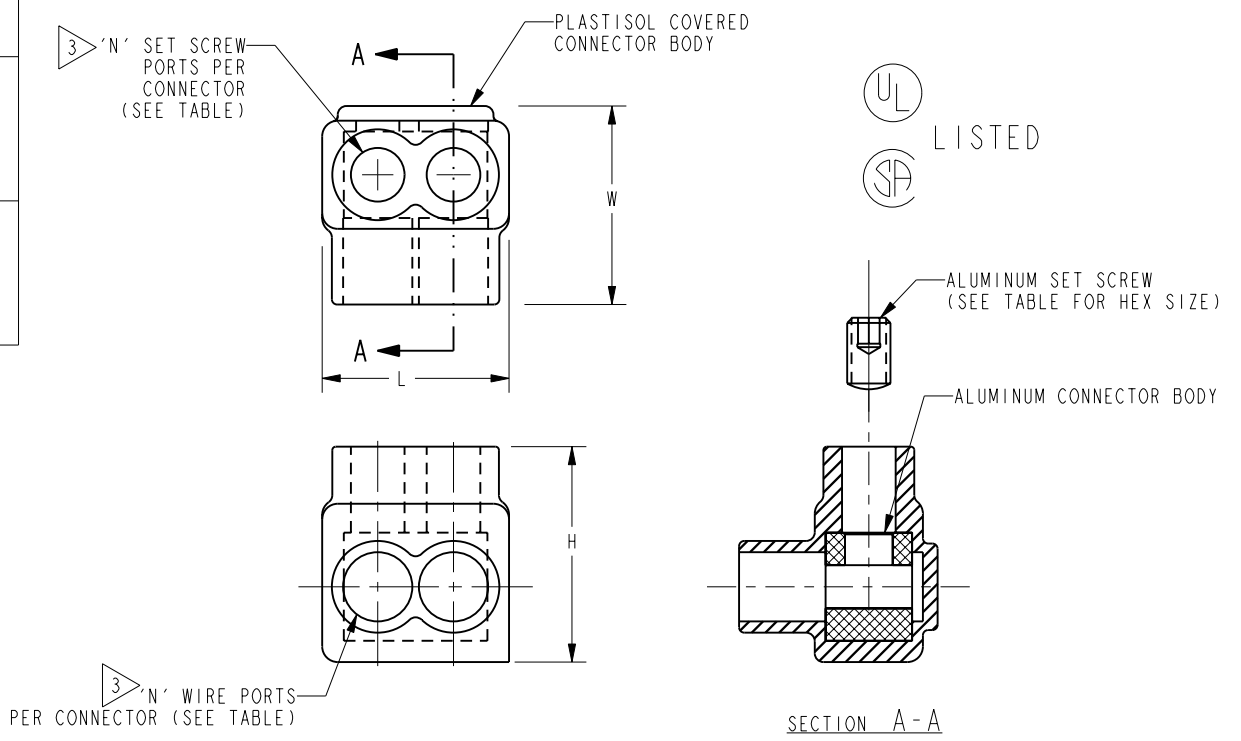
D

C

B

A

FEATURES	BENEFITS
PLASTISOL COVERED AL6061-T6 BODY	SAVES TIME, LOWERS INSTALLATION COSTS, ELIMINATES TAPING.
CLEAR PLASTISOL	ALLOWS VISUAL CONFIRMATION THAT CONDUCTOR IS PROPERLY INSERTED.
OXIDE-INHIBITOR IS PRE-INSTALLED	INHIBITS MOISTURE AND CONTAMINANTS FROM ENTERING THE CONTACT AREA
RANGE-TAKING	REDUCES THE NUMBER OF CONNECTORS CARRIED IN INVENTORY



NOTES:

- THIS DRAWING TO BE INTERPRETED PER ASME Y14.5M-1994.
- CONNECTORS ARE SUPPLIED INDIVIDUALLY LABELED. LABEL INFORMATION INCLUDES CATALOG NUMBER, QUANTITY, AND BARCODE.
- END CAPS INSTALLED ON WIRE PORTS AND SET SCREW PORTS.
- ALL CONNECTORS UL LISTED, CSA CERTIFIED FOR AL9CU, 90°C APPLICATIONS.
- DIMENSIONS IN BRACKETS [] ARE IN MILLIMETERS ROUNDED OFF TO THE NEAREST MILLIMETER, UNLESS OTHERWISE NOTED, AND ARE FOR REFERENCE ONLY.
- NOT UL LISTED.

TO ORDER BURNDY® PRODUCTS CALL

UNITED STATES:
1-800-346-4175 (LONDONDERRY, NH)

CANADA:
1-800-361-6975 (QUEBEC)
1-800-387-6487 (ALL OTHER PROVINCES)

FOR PRODUCT INFO: <http://www.burndy.com>

UNITAP™- PLASTISOL COVERED WIRE CONNECTORS	
ITEM NO:	N/A
CAT. NO:	BIT- , SERIES
DRAWN BY:	J AYER 3/21/97
CHECKER:	C CHADBOURNE 7/21/97
DSN APPVL:	C CHADBOURNE 7/21/97
MFG APPVL:	--
QA APPVL:	J BRODEUR 7/28/97
MKT APPVL:	P WERTHMAN 7/24/97
SCALE:	NTS
PROD FAM:	--
PROJECT #:	--
DOCUMENT TYPE:	Sales
REL LEVEL:	Released



DRAWING NO.	SC210991	REV	B
SIZE	C	SHEET 1 OF 15	

REV: PE0200