



Color: Bronze

Weight: 7.9 lbs

Project:	Type:
Prepared By:	Date:

Driver Info		LED Info	
Type	Constant Current	Watts	60W
120V	0.50A	Color	3000K/4000K/5000K
208V	0.30A	Temp	
240V	0.28A	Color Accuracy	80 CRI
277V	0.25A	L70 Lifespan	100,000 Hours
Input Watts	57.8/58.4/59W	Lumens	7780/8583/8084
		Efficacy	134.7/146.9/136.9 Im/W

Technical Specifications

Field Adjustability

Field Adjustable:

Color temperature selectable by 3000K, 4000K and 5000K

Compliance

UL Listed:

Suitable for wet locations

IESNA LM-79 & LM-80 Testing:

RAB LED luminaires and LED components have been tested by an independent laboratory in accordance with IESNA LM-79 and LM-80.

DLC Listed:

This product is listed by Design Lights Consortium (DLC) as an ultra-efficient premium product that qualifies for the highest tier of rebates from DLC Member Utilities. Designed to meet DLC 5.1 requirements.

DLC Product Code: PLQGNPP3AB7A

Performance

Lifespan:

100,000-Hour LED lifespan based on IES LM-80 results and TM-21 calculations

LED Characteristics

LEDs:

Long-life, high-efficiency, surface-mount LEDs

Electrical

Driver:

Constant Current, Class 2, 120-277V, 50/60 Hz, 120V: 0.50A, 208V: 0.30A, 240V: 0.28A, 277V: 0.25A

Dimming Driver:

Driver includes dimming control wiring for 0-10V dimming systems. Requires separate 0-10V DC dimming circuit. Dims down to 10%.

Photocell:

120-277V selectable photocell that can be turned on and off.

Note:

All values are typical (tolerance +/- 10%)

Construction

IP Rating:

Ingress protection rating of IP65 for dust and water

Cold Weather Starting:

The minimum starting temperature is -40°C (-40°F)

Maximum Ambient Temperature:

Suitable for use in up to 50°C (122°F)

Housing:

Die-cast aluminum

Technical Specifications (continued)

Construction

Lens:

Tempered glass

Mounting:

Wall mount

Finish:

Formulated for high durability and long-lasting color

Green Technology:

Mercury and UV free. RoHS-compliant components.

Other

5 Yr Limited Warranty:

The RAB 5-year, limited warranty covers light output, driver performance and paint finish. RAB's warranty is subject to all terms and conditions found at rablighting.com/warranty.

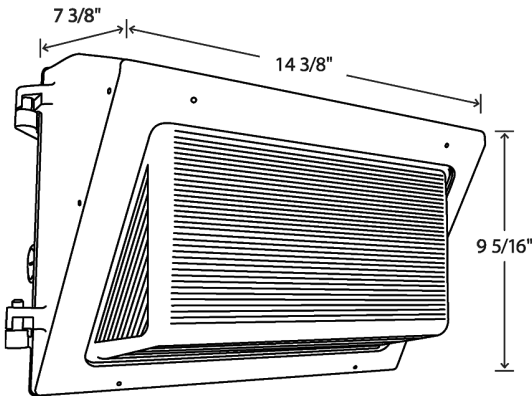
Equivalency:

Equivalent to 250W Metal Halide

Buy American Act Compliance:

RAB values USA manufacturing! Upon request, RAB may be able to manufacture this product to be compliant with the Buy American Act (BAA). Please contact customer service to request a quote for the product to be made BAA compliant.

Dimensions



Features

- DLC Premium listed
- IP65 Rated
- 100,000-Hour LED lifespan
- 5-Year, Limited Warranty

Ordering Matrix

Family	Wattage	Color Temp	Finish	Voltage/Driver	Options
WP2FA	60				
	29 = 29W 40 = 40W 60 = 60W 80 = 80W	Blank = 5000K/4000K/3000K	Blank = Bronze	Blank = 120-277V, 0-10V Dimming	Blank = Selectable Photocell /LC = Lightcloud® Controller