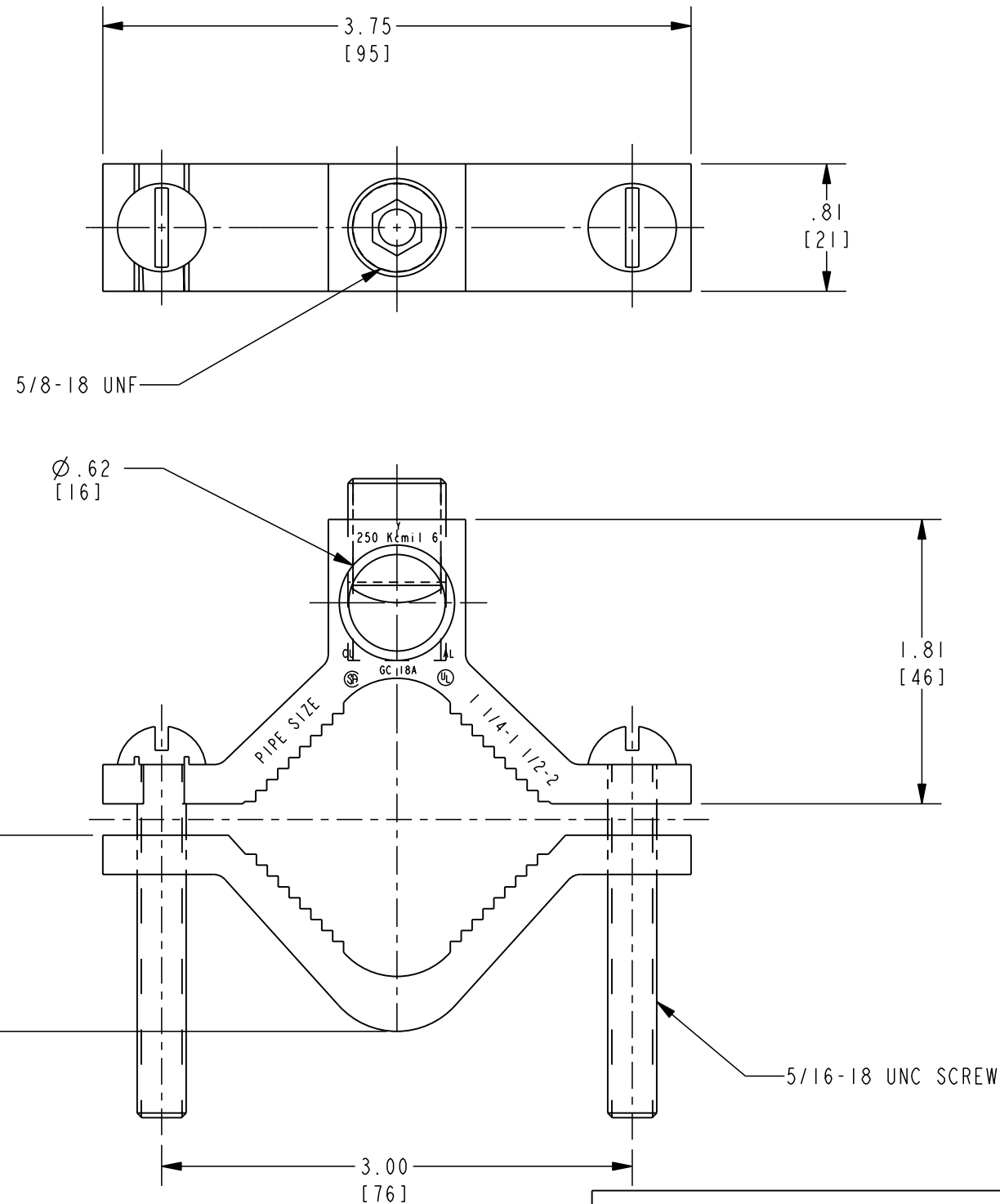


I.P.S. PIPE ACCOMMODATED		WIRE RANGE		
NOMINAL SIZE	ACTUAL OUTER DIAMETER		AWG	METRIC WIRE SIZE
	(IN)	(mm)		
1 1/4	1.660	[42]	6 STR(.184) - 250kcmil(.575)	16mm ² STR[5.1] 120mm ² STR[14.4]
1 1/2	1.900	[48]		
2	2.375	[60]		

REV.	DATE	DESCRIPTION	ECO	BY	C.H.K.
A	4/3/2006 12:00:00 AM	REDRAWN TO PROE	12231	JG	BM



NOTES:

1. MATERIAL: ALUMINUM (5/16 - 18 UNC SCREWS ARE STEEL).
2. DIMENSIONS IN BRACKETS [] ARE IN MILLIMETERS ROUNDED OFF TO THE NEAREST MILLIMETER, UNLESS OTHERWISE NOTED, AND ARE FOR REFERENCE ONLY.
3. U.L. 467 LISTED, FILE NO. E9999
4. PENETROXTM OXIDE INHIBITING JOINT COMPOUNDS ARE RECOMMENDED. FOR ALL ALUMINUM APPLICATIONS.
5. RECOMMENDED TORQUE: 180 LB*in [20.3N*m]

TO ORDER BURNDY® PRODUCTS CALL
 UNITED STATES:
 1-800-346-4175 (LONDONDERRY, NH)
 CANADA:
 1-800-361-6975 (QUEBEC)
 1-800-387-6487 (ALL OTHER PROVINCES)
 FOR PRODUCT INFO: <http://www.burndy.com>

GROUND CLAMP	
ITEM NO: 262003	
CAT. NO: GC18A	
DRAWN BY: D. BOISVERT 04/12/99	
CHECKER: J. MICHAUD 4/19/99	
DSN APPVL: G. DITROIA 5/25/99	
MFG APPVL: N/A --	
QA APPVL: J. BRODEUR 5/26/99	
MKT APPVL: P. MITCHELL 5/24/99	
PROJ #:	SCALE: 1:1
DOCUMENT TYPE:	DRAWING NO
REL LEVEL: Released	REV
	SIZE
	SC212058-01
	SHEET 1 OF 1
	A