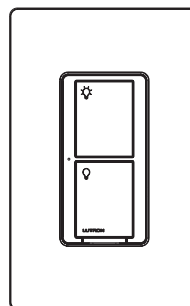


## Caséta Wireless In-Wall Switch

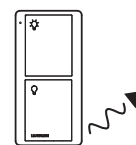
The Caséta Wireless In-Wall Switch provides switching of multiple load types and, when paired with Pico remote controls, allows wireless control from anywhere in the space.

The Caséta Wireless In-Wall Switch uses Lutron patented Clear Connect RF Technology which enables wireless communication with Pico remote controls, Caséta motion sensors, and the Lutron Smart Bridge and Smart Bridge PRO.

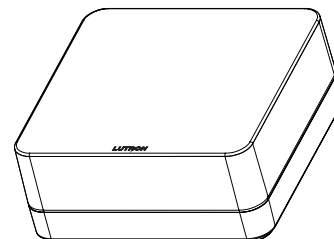
Caséta Wireless In-Wall Switch



Pico Remote Control



Lutron Smart Bridge and Smart Bridge PRO



Feature	PD-5WS-DV	PD-6ANS
Works with Pico remote controls	√	√
Works with Caséta motion sensors	√	√
Works with the Lutron app (via a Smart Bridge or Smart Bridge PRO) <sup>1</sup>	√	√
Lutron patented Clear Connect RF Technology works through walls and floors	√	√
Includes Front Accessible Service Switch (FASS) for safe lamp replacement	√	√
Works with Lutron Radio Powr Savr Occupancy and Vacancy Sensors in standalone applications (sensors do not work with Smart Bridge or Smart Bridge PRO)	√	√
Dual voltage (120 V~ and 277 V~)	√	
Simple two-wire installation (no neutral wire required)	√	
Installation requires neutral wire		√
May need LUT-MLC for load compatibility	√	
Switching capacity	5 A	6 A
Best load type compatibility (no LUT-MLC required)		√
Low minimum load requirement		√

<sup>1</sup> The Lutron App is required for setup and use with the Smart Bridge and Smart Bridge PRO. The Lutron App is compatible with iOS® devices version 6.0 or later and Android™ devices 4.0 or later.

<b>Job Name:</b>	<b>Model Numbers:</b>
<b>Job Number:</b>	

## Load Type and Capacity

Model Number	Description	Voltage	Load Type	Minimum Load	Maximum Load <sup>4</sup>		
					Not Ganged	End of Gang	Middle of Gang
PD-5WS-DV-XX <sup>1, 2</sup>	Two-wire switch	120 V~	Incandescent/ Halogen	25 W	600 W	450 W	350 W
		277 V~	Incandescent/ Halogen	25 W	1350 W	1100 W	800 W
		120 V~	MLV	25 W	600 VA/475 W	450 VA/350 W	350 VA/275 W
		277 V~	MLV	25 W	1350 VA/1075 W	1100 VA/875 W	800 VA/625 W
		120 V~	General Purpose Fan	0.4 A	3 A	3 A	3 A
		120/277 V~	LED	Use LUT-MLC <sup>3</sup>	5 A	4 A	3 A
		120/277 V~	Fluorescent	Use LUT-MLC <sup>3</sup>	5 A	4 A	3 A
		120 V~	ELV	Use LUT-MLC <sup>3</sup>	600 W	450 W	350 W
		277 V~	ELV	Use LUT-MLC <sup>3</sup>	1350 W	1100 W	800 W
PD-6ANS-XX <sup>2, 5</sup>	Neutral-wire switch	120 V~	Incandescent/ Halogen	10 W	720 W	720 W	600 W
			MLV	10 W	720 VA	720 VA	600 VA
			Fan	0.1 A	3.6 A	3.6 A	3.6 A
			LED	1 bulb	6 A	6 A	5 A
			Fluorescent	1 ballast	6 A	6 A	5 A
			ELV	10 W	720 VA	720 VA	600 VA

<sup>1</sup> No neutral required.

<sup>2</sup> "XX" in the model number represents color/finish code.

<sup>3</sup> To ensure proper operation of the switch with LED, fluorescent, and ELV loads, a LUT-MLC may be required, especially at lower wattages. If the status LED on the switch is flashing or solid red in color, a LUT-MLC must be installed. To guarantee best performance, installing a LUT-MLC with these load types regardless of wattage is recommended. Rarely, some load types may still flicker or glow in the off state even with the LUT-MLC installed, in which case a different load may be required.

<sup>4</sup> See "Ganging and Derating" section.

<sup>5</sup> Neutral required.

Job Name:	Model Numbers:
Job Number:	

## Specifications

### Regulatory Approvals

- cULus Listed
- NOM Certified
- FCC Approved. Complies with the limits for a Class B digital device, pursuant to Part 15 of the FCC Rules
- Industry Canada Certified
- IFTEL Certified
- NEMA 410

### Power

Operating voltage:

- PD-5WS-DV: 120/277 V $\sim$  50/60 Hz
- PD-6ANS: 120 V $\sim$  50/60 Hz

### Key Design Features

- Tested to withstand electrostatic discharge without damage or memory loss, in accordance with IEC 61000-4-2.
- Tested to withstand surge voltages without damage or loss of operation, in accordance with IEEE C62.41-1991 Recommended Practice on Surge Voltages in Low-Voltage AC Power Circuits.
- Switches always operate locally and do not require system control.
- Power failure memory: should power be interrupted, the control will return to its previously set level prior to the interruption when power is restored.
- Uses conventional 3-way wiring.
- Uses Lutron Claro wallplates or designer-style wallplates from other manufacturers. Wallplates are sold separately.
- Lutron Claro wallplates snap on with no visible means of attachment.
- Requires a 1-gang U.S. wallbox. 3 $\frac{1}{2}$  in (89 mm) depth recommended, 2 $\frac{1}{4}$  in (57 mm) depth minimum.
- Green status LED.

### System Communications and Capacity

- The Caséta Wireless In-Wall Switch communicates with Pico remote controls, Caséta motion sensors, and the Lutron Smart Bridge/Smart Bridge PRO through radio frequency (RF).
- The Caséta Wireless In-Wall Switch must be located within 60 ft (18 m) line-of-sight or 30 ft (9 m) through walls of a Lutron Smart Bridge, Smart Bridge PRO, or Caséta Wireless Repeater.
- The Caséta Wireless In-Wall Switch must be located within 60 ft (18 m) line-of-sight or 30 ft (9 m) through walls of Pico remote controls or Caséta motion sensors (with no Smart Bridge installed).

### Device limits

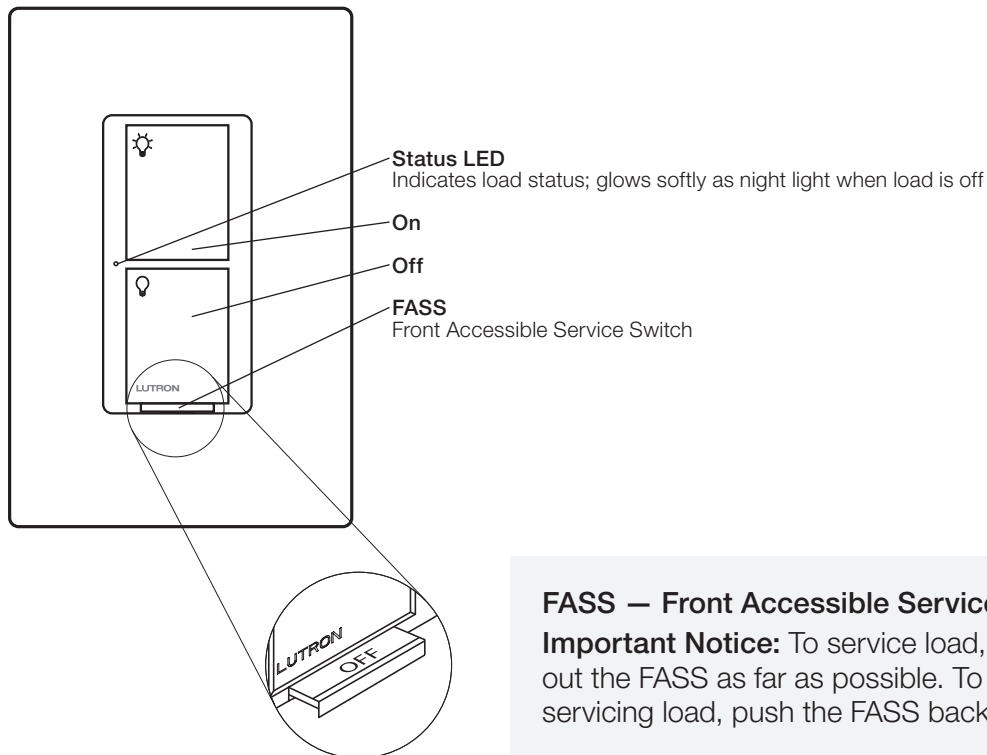
- Pico remote controls and Caséta motion sensors: up to 10 devices (total) may be paired to each Caséta Wireless In-Wall Switch (with no Smart Bridge installed)
- Smart Bridge or Smart Bridge PRO system: up to 75 total wireless devices (Caséta Wireless dimmers/switches, Pico remote controls, and Caséta motion sensors) are supported per system. Smart Bridge or Smart Bridge PRO counts as one device. The Caséta Wireless repeater counts as one device.

### Environment

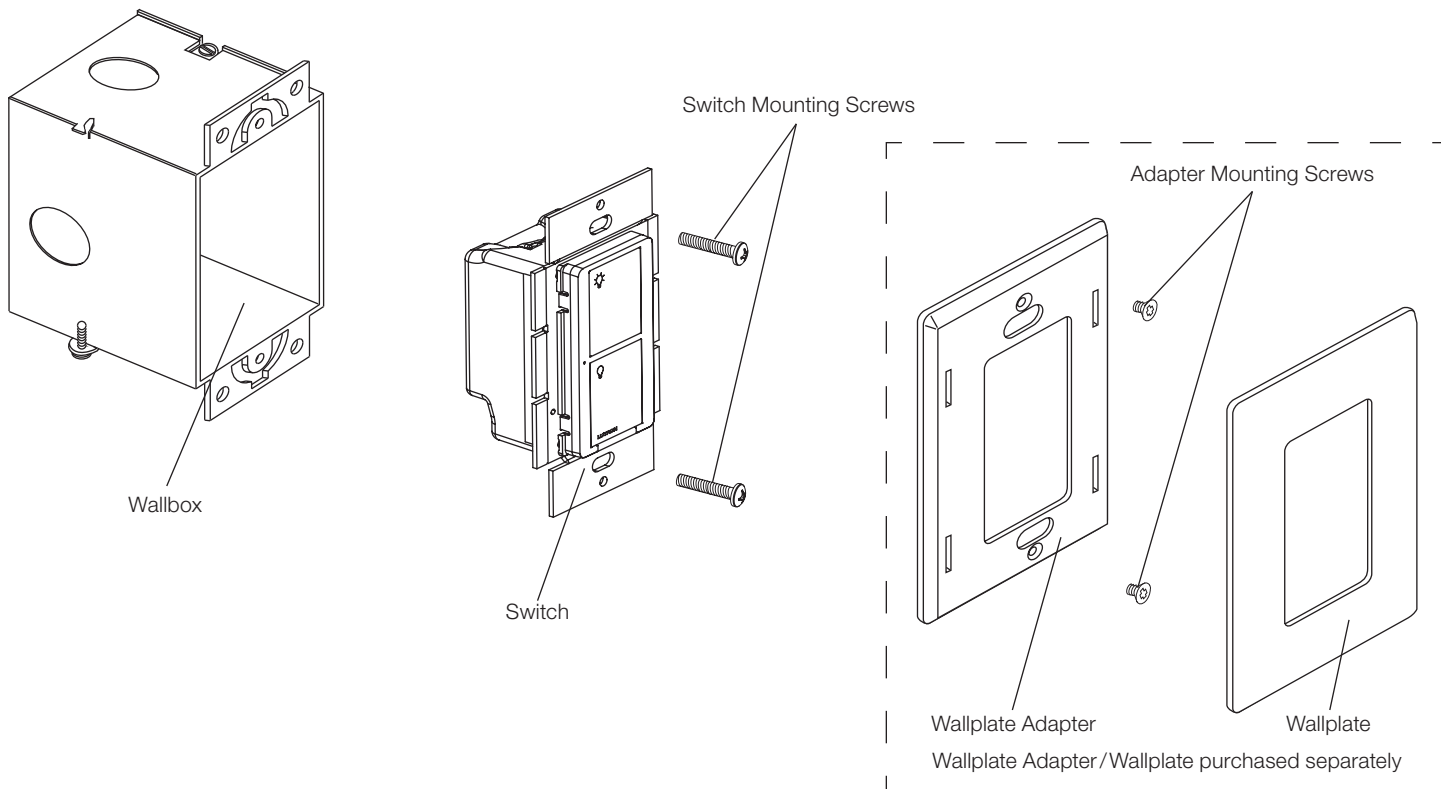
- Ambient operating temperature: 32 °F to 104 °F (0 °C to 40 °C), 0% to 90% humidity, non-condensing. Indoor use only.

<p><b>Job Name:</b></p>  <p><b>Job Number:</b></p>	<p><b>Model Numbers:</b></p>
--	------------------------------

### Operation



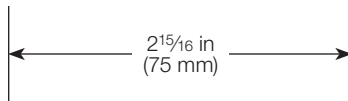
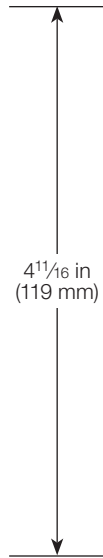
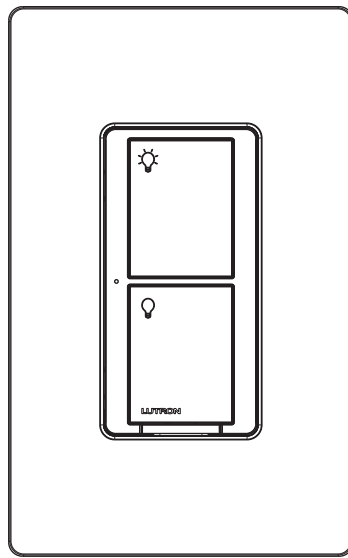
### Mounting



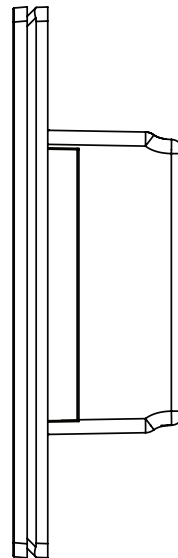
Job Name:	Model Numbers:
Job Number:	

### Dimensions

Front View

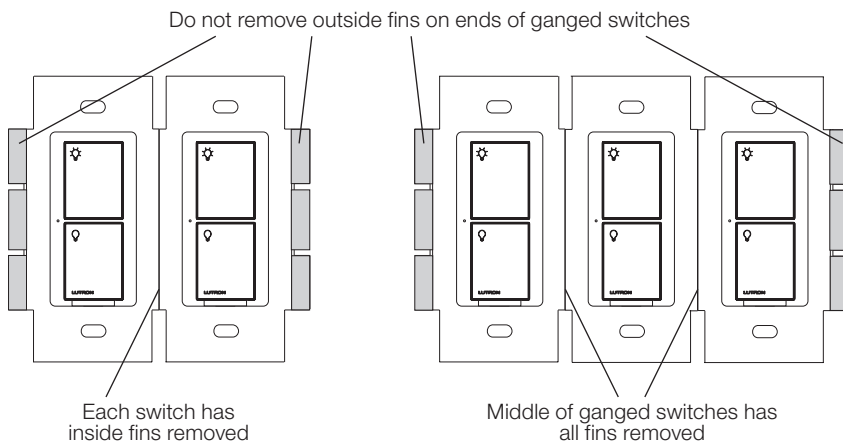


Side View



### Ganging and Derating

When ganging with other switches in the same wallbox, derating is required. See “Load Type and Capacity” chart.

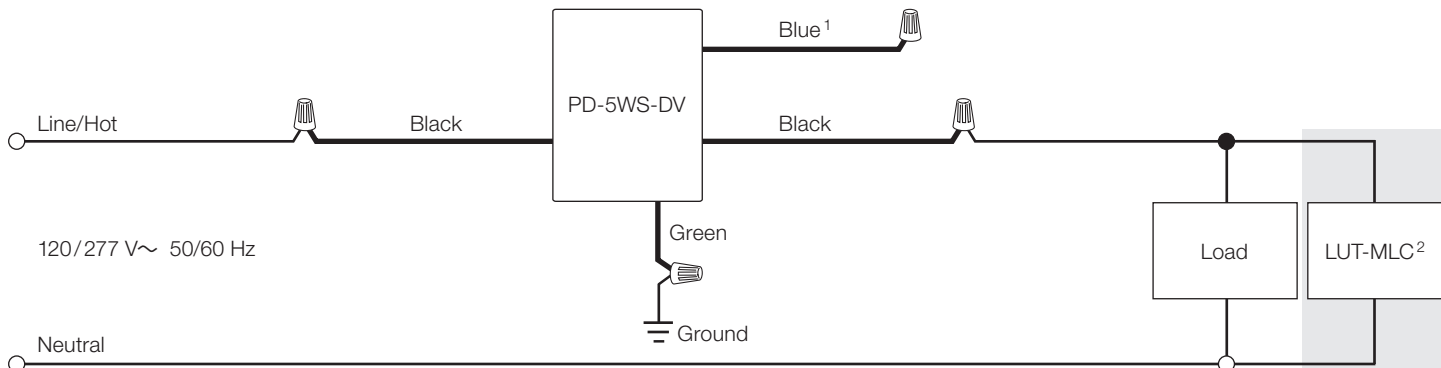


Job Name:	Model Numbers:
Job Number:	

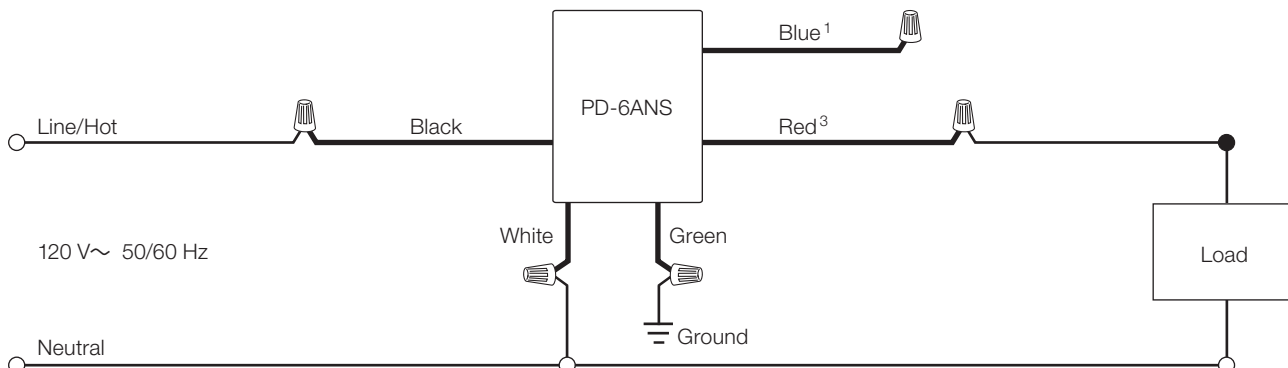
# Wiring Diagrams

## Single Location Installation

### PD-5WS-DV



### PD-6ANS



- <sup>1</sup> When using controls without a mechanical 3-way switch, cap the blue terminal. **Do not** connect the blue wire to any other wiring or to ground.
- <sup>2</sup> A LUT-MLC ensures proper function when LED, fluorescent, or ELV loads are used. Install the LUT-MLC inside a load fixture or in a separate junction box within the circuit.
- <sup>3</sup> The red wire must be connected to the load and the black wire must be connected to Line/Hot. The switch will not work if the wires are reversed.

(continued on next page...)

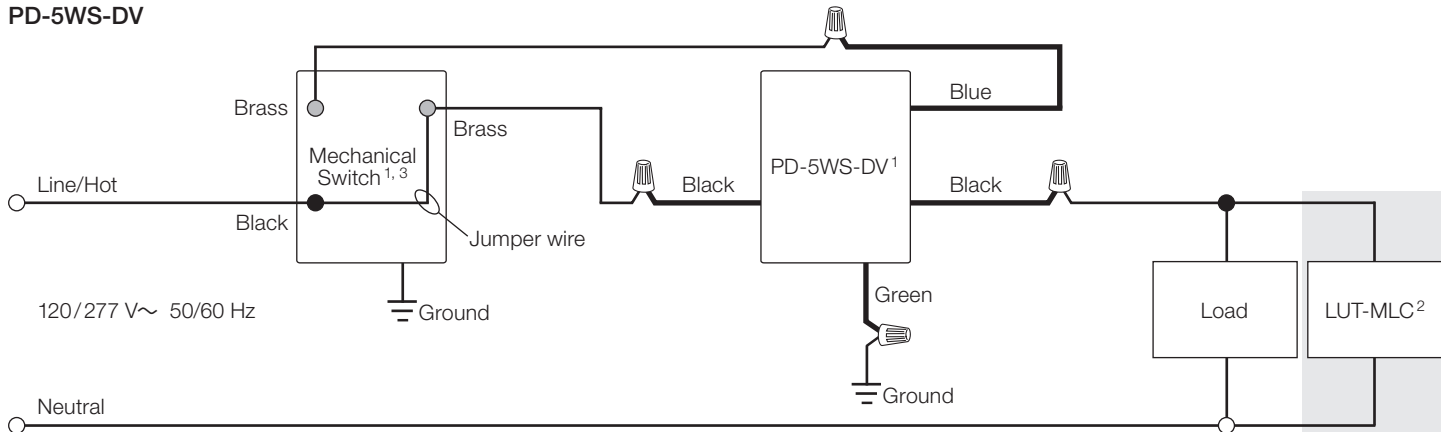
<b>Job Name:</b>	<b>Model Numbers:</b>
<b>Job Number:</b>	

Wiring Diagrams (continued)

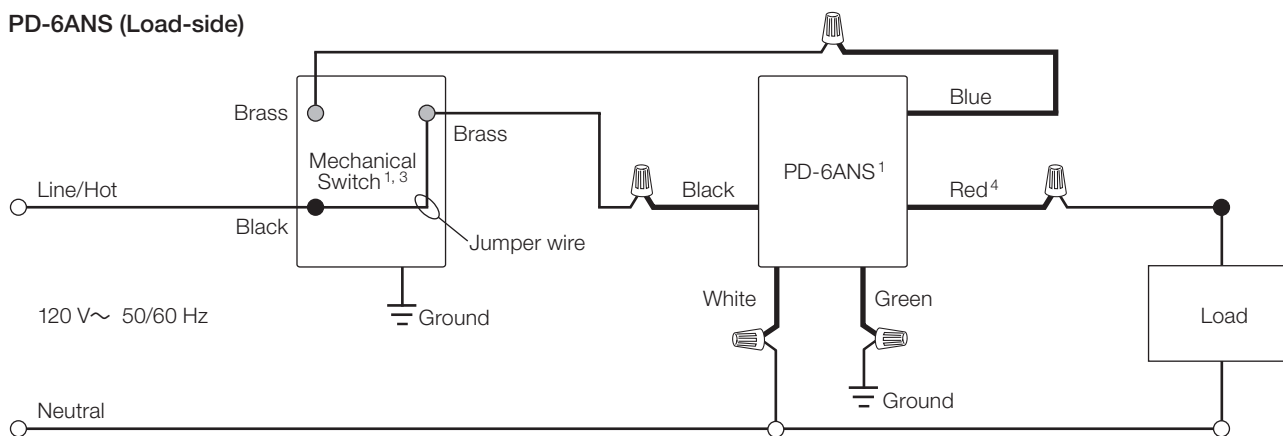
3-Way Installation

Option 1: With mechanical switch

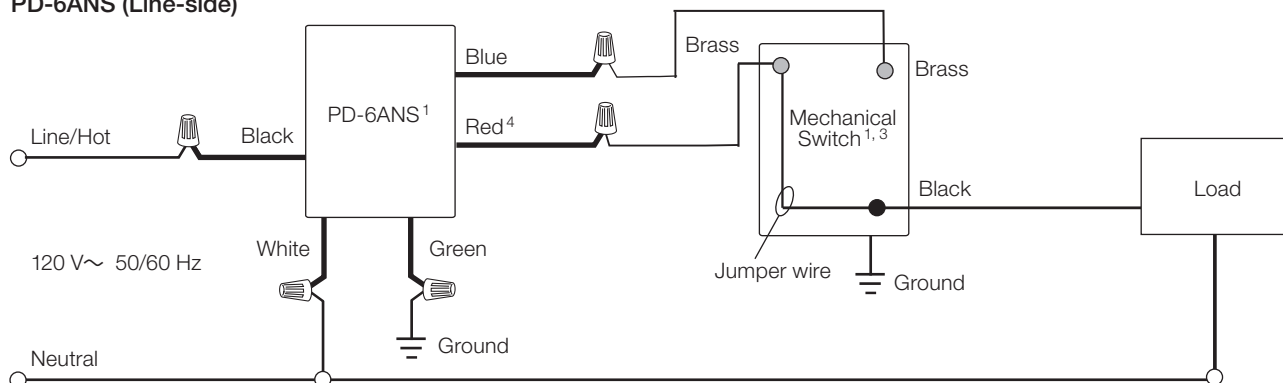
PD-5WS-DV



PD-6ANS (Load-side)



PD-6ANS (Line-side)



1 Location of Caséta Wireless In-Wall Switch and mechanical switch may be reversed.

2 A LUT-MLC ensures proper function when LED, fluorescent, or ELV loads are used. Install the LUT-MLC inside a load fixture or in a separate junction box within the circuit.

3 A second location requires rewiring.

4 The red wire must be connected to the load and the black wire must be connected to Line/Hot. The switch will not work if the wires are reversed.

(continued on next page...)

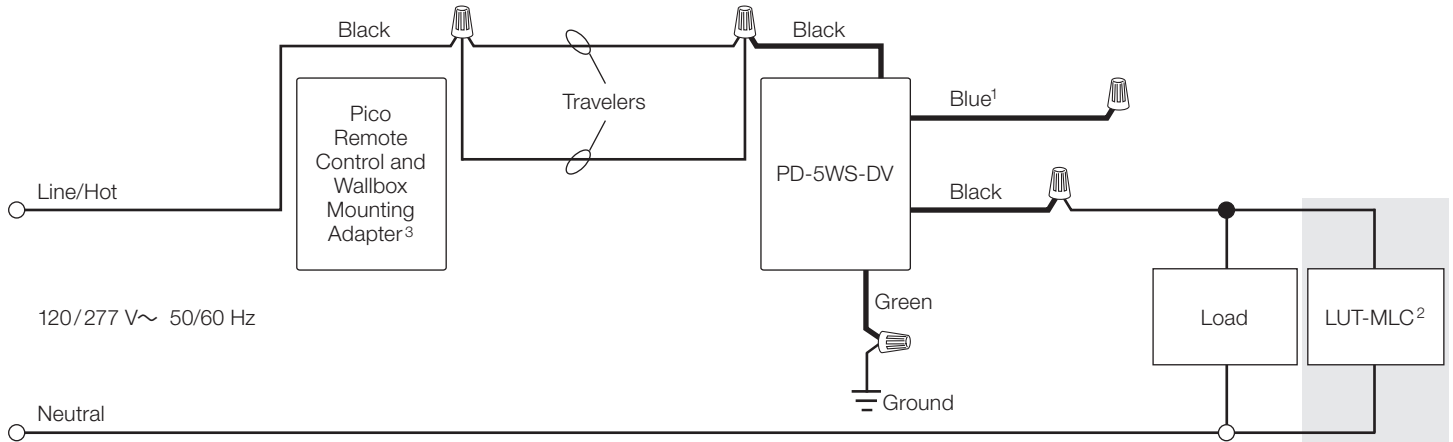
Job Name:	Model Numbers:
Job Number:	

Wiring Diagrams (continued)

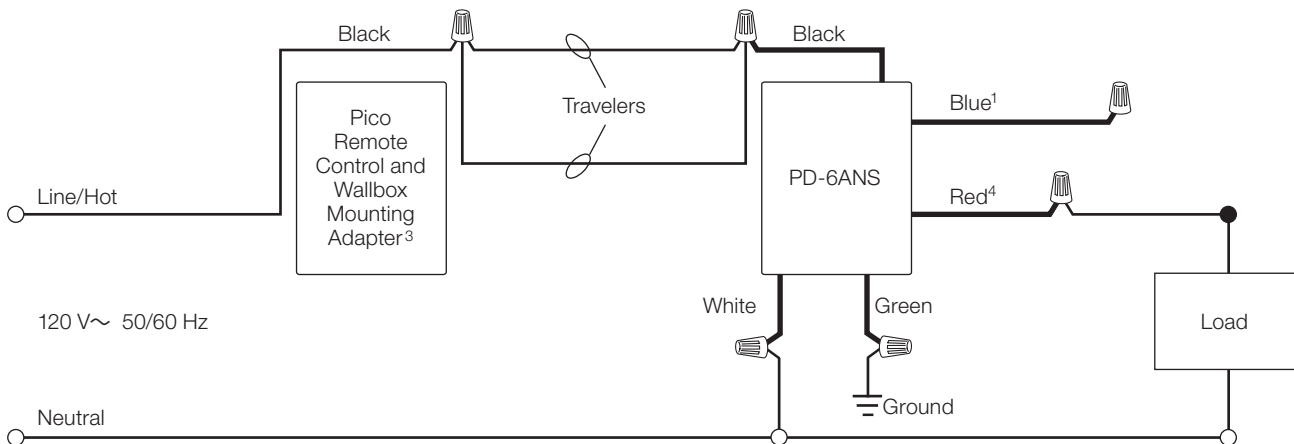
3-Way Installation

Option 2: With Pico remote controls (PJ2-2B-xx) and wallbox mounting adapters (PICO-WBX-ADAPT)

PD-5WS-DV



PD-6ANS



- <sup>1</sup> When using controls without mechanical 3-way switch, cap the blue terminal. **Do not** connect the blue wire to any other wiring or to ground.
- <sup>2</sup> A LUT-MLC ensures proper function when LED, fluorescent, or ELV loads are used. Install the LUT-MLC inside a load fixture or in a separate junction box within the circuit.
- <sup>3</sup> A second location requires rewiring.
- <sup>4</sup> The red wire must be connected to the load and the black wire must be connected to Line/Hot. The switch will not work if the wires are reversed.

(continued on next page...)

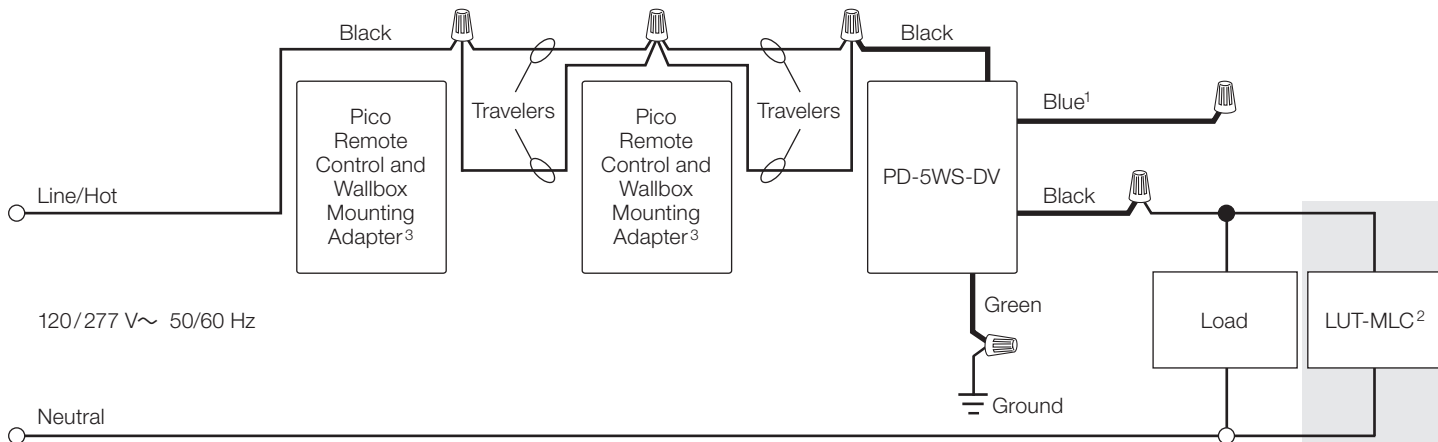
LUTRON SPECIFICATION SUBMITTAL		Page
Job Name:	Model Numbers:	
Job Number:		



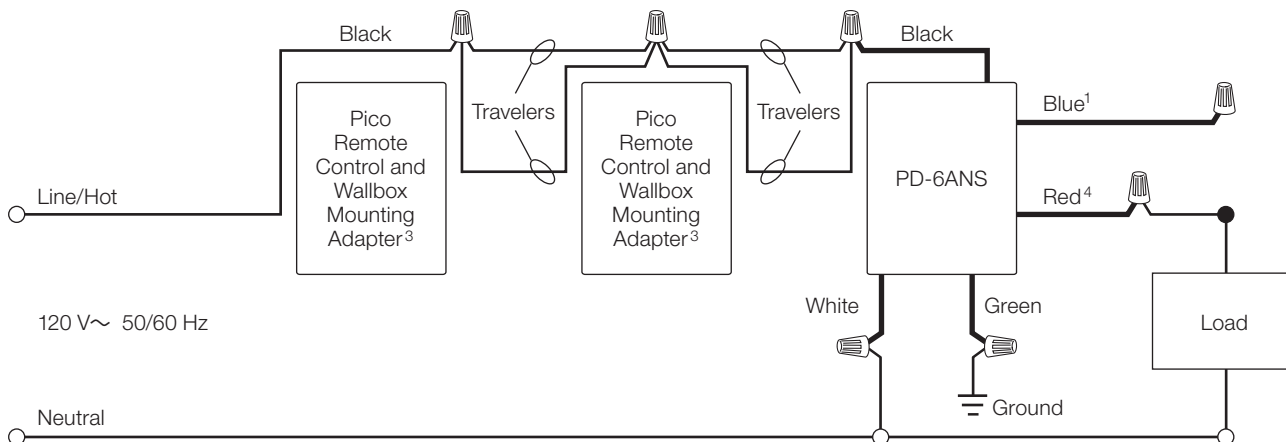
Wiring Diagrams (continued)

**Multi-location Installation** (for installations where 3 or more switches control the load)  
 With Pico remote controls (PJ2-2B-xx) and wallbox mounting adapters (PICO-WBX-ADAPT)

PD-5WS-DV



PD-6ANS

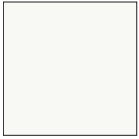


- <sup>1</sup> When using controls without mechanical 3-way switch, cap the blue terminal. **Do not** connect the blue wire to any other wiring or to ground.
- <sup>2</sup> A LUT-MLC ensures proper function when LED, fluorescent, or ELV loads are used. Install the LUT-MLC inside a load fixture or in a separate junction box within the circuit.
- <sup>3</sup> Each location requires rewiring.
- <sup>4</sup> The red wire must be connected to the load and the black wire must be connected to Line/Hot. The switch will not work if the wires are reversed.

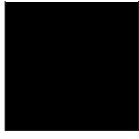
<b>LUTRON</b> SPECIFICATION SUBMITTAL		Page
<b>Job Name:</b>	<b>Model Numbers:</b>	
<b>Job Number:</b>		

## Colors and Finishes

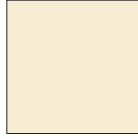
### Gloss Finishes



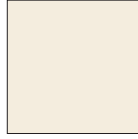
White  
WH



Black  
BL




Ivory  
IV



Light Almond  
LA

Due to printing limitations, colors and finishes shown cannot be guaranteed to perfectly match actual product colors.

 Lutron, Lutron, Caséta, Pico, Smart Bridge, FASS, Claro, Radio Powr Savr, and Clear Connect are trademarks or registered trademarks of Lutron Electronics Co., Inc. in the US and/or other countries.

iOS is a registered trademark of Cisco in the U.S. and other countries and is used under license.

All product names, logos, and brands are property of their respective owners.

### LUTRON SPECIFICATION SUBMITTAL

Page

<b>Job Name:</b>	<b>Model Numbers:</b>
<b>Job Number:</b>	