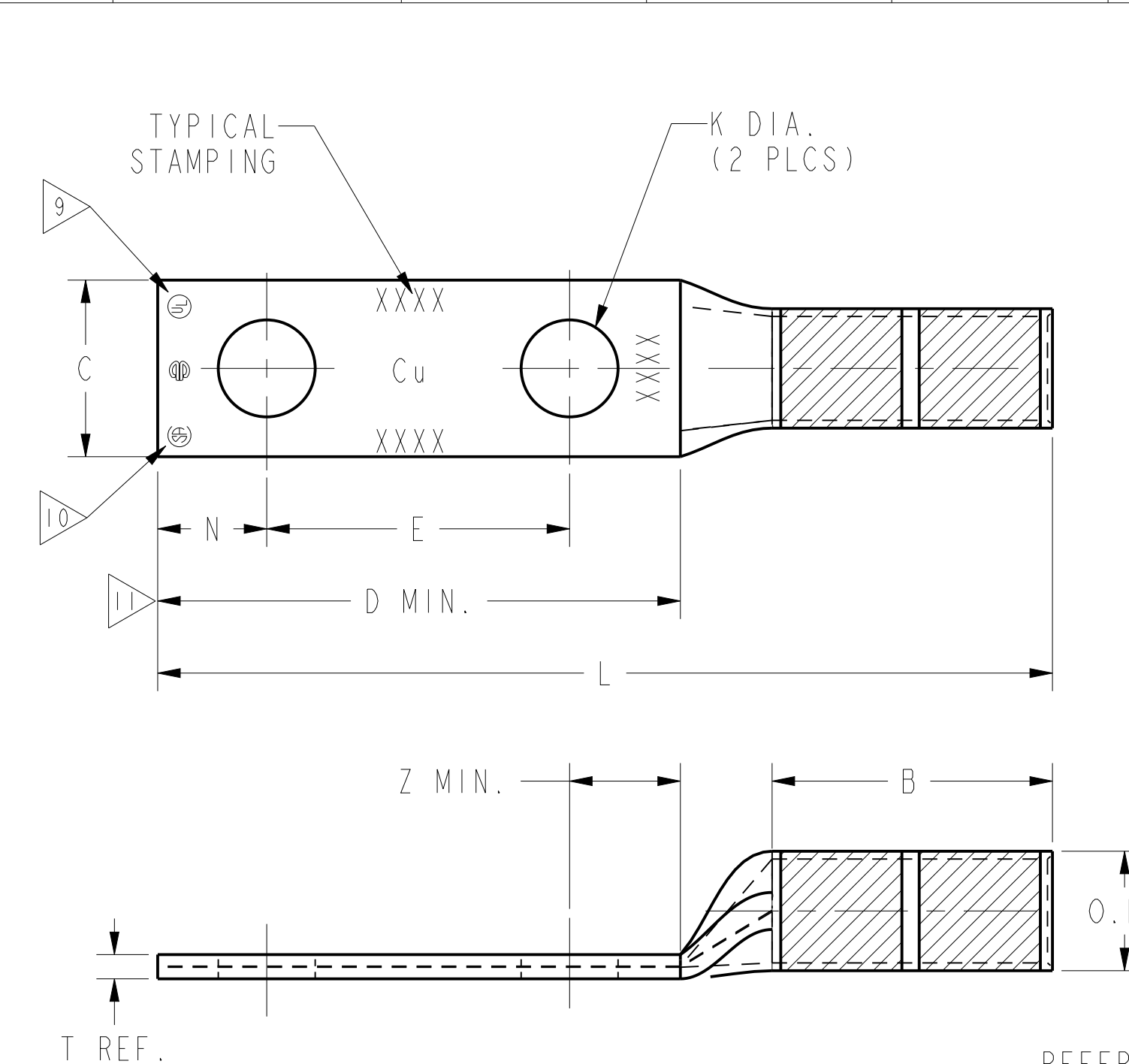


DRAWING NO. SD031189		7			6		5		4		3		1				
CATALOG NUMBER	STRANDED COPPER CONDUCTOR ACCOMMODATED			BOLT SIZE	METRIC BOLT SIZE	DIMENSIONS							TOLERANCE BLOCK				
	CODE (AWG)	NAVY	METRIC SIZE (CLASS 2)			B	C	E	K DIA.	L	N	O.D.	T REF.	Z MIN.			
YA282N	4/0 AWG	200	-----	1/2	M12	1.62 [41]	1.02 [26]	↑	↑	5.17 [131]	↑	.69 [18]	.14 [4]	↑			
YA282NUNPL																	
YA292N	250 kcmil	250	120MM ² STR [14.5]	1/2	M12	2.00 [51]	1.11 [28]	1.75 [44]	.56 [14]	5.21 [132]	.63 [16]	.75 [19]	.16 [4]	.64 [16]			
YA302N	300 kcmil	300	150MM ² STR [16.2]	1/2	M12		1.20 [30]			5.64 [143]		.81 [21]					
YA312N	350 kcmil	350	-----	1/2	M12		1.29 [33]			5.68 [144]		.88 [22]	.18 [5]				

INSTALLATION TOOLING (# CRIMPS)

CATALOG NO.	COLOR CODE	DIE INFORMATION		MECHANICAL				HYDRAULIC						DIELESS (# CRIMPS)	WIRE STRIP LENGTH	
		DIE INDEX	TYPE	YIMRTC	OUR840	MD6 MD7	MD6--R2 BAT500 BCT500	MD7-34R	Y34A Y34B Y34BH	Y35, Y39 Y750, BAT35 BAT750	Y46	Y45	Y48B			Y60BHU
YA282N	PURPLE	15	PURPLE DIE SET	-----	X28RT(6)	W28RT(4) W28VT(4)	W28RT(4) W28VT(4)	W28RT(4) W28VT(4)	-----	U28RT(2)	U28RT(2)	U28RT(2)	C28R(2)	L28RT(1)	MECHANICAL: MY29-3(2) MY29-11(2) MRC840(4) (4/0 ONLY)	1-11/16"
YA282NUNPL			NEST INDENTOR	-----	-----	-----	-----	-----	B28D(1) A28D(1) Y34PR	U28D-1(1) Y34PR	U28D-1(1) Y34PR	U28D-1(1) Y34PR	C28D(1) Y48PR	-----		
YA292N	YELLOW	16	YELLOW DIE SET	-----	X29RT(8)	W29VT(4)	W29RT(4) W29VT(4)	W29VT(4)	A29R(2)	U29RT(2)	U29RT(2)	U29RT(2)	C29R(2)	L29RT(1)	HYDRAULIC: Y644(1) PAT644(1) Y81KFT-SERIES(2) Y4PC834-SERIES(2)	1-11/16"
YA302N			NEST INDENTOR	-----	-----	-----	-----	-----	B29D(2) A29D(2) Y34PR	U29D-1(2) Y34PR	U29D-1(2) Y34PR	U29D-1(2) Y34PR	C29D(1) Y48PR	-----		
YA302N	WHITE	17 298	WHITE DIE SET	-----	-----	-----	W30RT(4)	W30VT(4)	A28AR(2)	U30RT(4) U28ART(4)	U30RT(4) U28ART(4)	U30RT(4) U28ART(4)	C30R(1) C28AR(1)	L30RT(1)	HYDRAULIC: Y644(1) PAT644(1) Y81KFT-SERIES(2) Y4PC834-SERIES(2)	2-1/16"
YA302NUNPL			NEST INDENTOR	-----	-----	-----	-----	-----	B30D(2) A30D(2) Y34PR	U30D-1(2) Y34PR	U30D-1(2) Y34PR	U30D-1(2) Y34PR	C30D(1) Y48PR	-----		
YA312N	RED	18 324	RED DIE SET	-----	-----	-----	W31RT(4) W31VT(4)	W31VT(4)	-----	U31RT(4) U29ART(4)	U31RT(4) U29ART(4)	U31RT(4) U29ART(4)	C31R(1) C29AR(1)	L31RT(1) L29ART(1)	HYDRAULIC: Y644(1) PAT644(1) Y81KFT-SERIES(2) Y4PC834-SERIES(2)	2-1/16"
			NEST INDENTOR	-----	-----	-----	-----	-----	B31D(2) A31D(2) Y34PR	U31D-1(2) Y34PR	U31D-1(2) Y34PR	U31D-1(2) Y34PR	C31D(1) Y48PR	-----		

- NOTES:
- MATERIAL: COPPER TUBING
 - FINISH: TIN PLATED. FOR UNPLATED VERSION, ADD SUFFIX "BR" TO CATALOG NUMBER EX.YA282NBR.
 - CATALOG # PT6515 ADAPTOR IS REQUIRED TO USE "U" DIES IN Y45 SERIES TOOLS.
 - CATALOG # PUADP-1 ADAPTOR IS REQUIRED TO USE "U" DIES IN Y46 SERIES TOOLS.
 - Y35P3 INDENTOR ADAPTOR REQUIRED FOR Y34PR INDENTOR.
 - PERMANENT DIE IN TOOLING.
 - DIMENSIONS IN BRACKETS [] ARE IN MILLIMETERS ROUNDED OFF TO THE NEAREST MILLIMETER, UNLESS OTHERWISE NOTED, AND ARE FOR REFERENCE ONLY.
 - FOR USE BY CUSTOMERS THAT HAVE THIS HYPRESSTM. NO NEW Y34A HYPRESSTM TOOLS ARE BEING PROCESSED. Y34A USES A--D TYPE NEST DIES.
 - CONNECTORS ARE UL LISTED; UNDRILLED VERSIONS ARE NOT UL LISTED.
 - CONNECTORS ARE CSA CERTIFIED; UNDRILLED VERSIONS ARE NOT CSA CERTIFIED.
 - FOR UNDRILLED VERSIONS ADD SUFFIX "-U" TO END OF CATALOG NUMBER. FOR UNDRILLED VERSIONS, USE D MIN. = N MAX. + E MIN. + Z MIN.
 - "X", "W-RT", "W-VT", "U", & "L" DIE SETS ARE COLOR CODED. "A", "B", AND "C" DIES ARE NOT COLOR CODED. NESTS AND INDENTOR TYPE ARE NOT COLOR CODED.
 - BAT500 AND BCT500 ARE HYDRAULIC TOOLS.
 - ADD SUFFIX "UNPL" FOR UNPLATED CONNECTORS WITH NO INK MARKINGS IN BARREL.
 - ADD SUFFIX "DT" OR "DTS" TO ORDER LUGS WITH CRIMP BARREL SEALED AIR TIGHT INSIDE THE TRANSITION.



REFERENCE :SE209513

TO ORDER BURNDY® PRODUCTS CALL		HYLUG™	
UNITED STATES 1-800-346-4175 (LONDONDERRY, NH)		ITEM NO: N/A	
CANADA: 1-800-387-6487 (ALL OTHER PROVINCES)		CAT. NO: YA--2N (SEE TABLE)	
FOR PRODUCT INFO: http://www.burndy.com		DRAWN BY: J MICHAUD 11/18/94	
		CHECKER: D FILLION 11/18/94	
		DSN APPVL: C PALAGI 10/24/94	
		MFG APPVL: --	
		QA APPVL: C ACKERMAN 11/17/94	
		MKT APPVL: T NELSON 11/10/94	
		PROD FAM: CM&R COMPRESSION	
		DRAWING NO	
		SD031189	
		SCALE: NTS	
		PROJECT #: --	
		SIZE	
		D	
		DOCUMENT TYPE: Sales	
		SHEET 3 OF 10	
		REL LEVEL: Released	

REV: PEO200