

# Haier

---

## ARCTIC SPECIFICATION GUIDE

Devis descriptif Arctic / Guía de especificaciones árticas



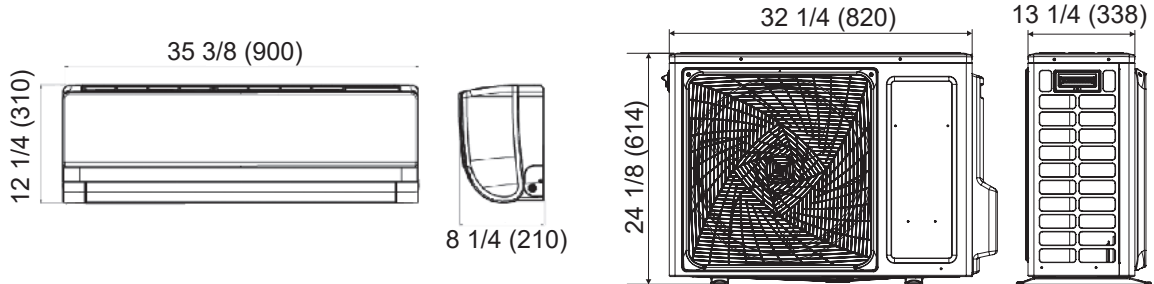


# TABLE OF CONTENTS

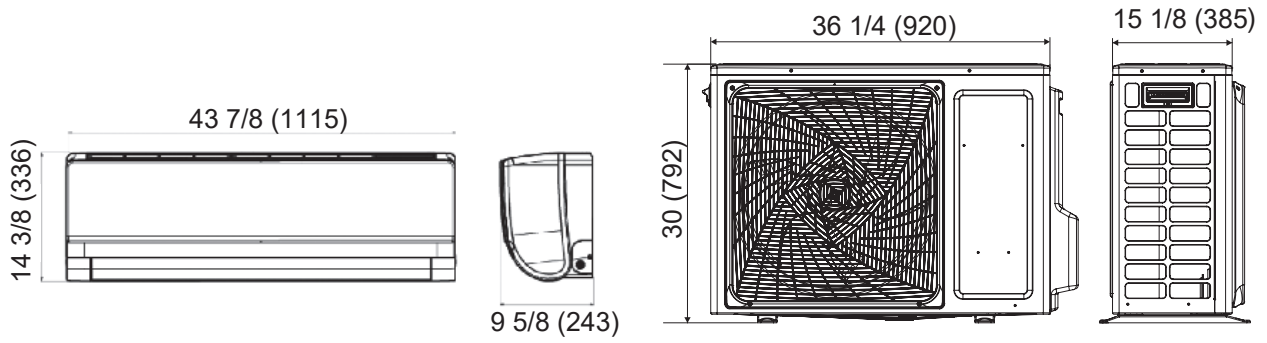
<b>UNIT DIMENSIONS</b> .....	<b>4</b>
<b>CLEARANCES</b> .....	<b>5</b>
<b>SYSTEM</b> .....	<b>6</b>
Part 1: General .....	6
Part 2: Performance and Operating Range .....	6
Part 3: Installation Requirements .....	8
Part 4: Electrical Requirements .....	8
<b>OUTDOOR UNIT</b> .....	<b>9</b>
Part 1: General .....	9
Part 2: Installation .....	9
Part 3: Components .....	9
<b>WALL MOUNT INDOOR UNIT</b> .....	<b>10</b>
Part 1: General .....	10
Part 2: Installation Requirements .....	10
Part 3: Electrical Requirements .....	11
Part 4: Components .....	11
<b>CONTROLS AND ACCESSORIES</b> .....	<b>12</b>
Part 1: YR-HG Wireless Control .....	12
Part 2: Wired Controllers .....	12
Part 3: QAWF01A WiFi Adapter .....	13
Part 4: WK-B Interface Kit .....	13
<b>LIMITED WARRANTY</b> .....	<b>15</b>

# UNIT DIMENSIONS

AW09EH2VHA/1U09EH2VHA  
 AW12EH2VHA/1U12EH2VHA



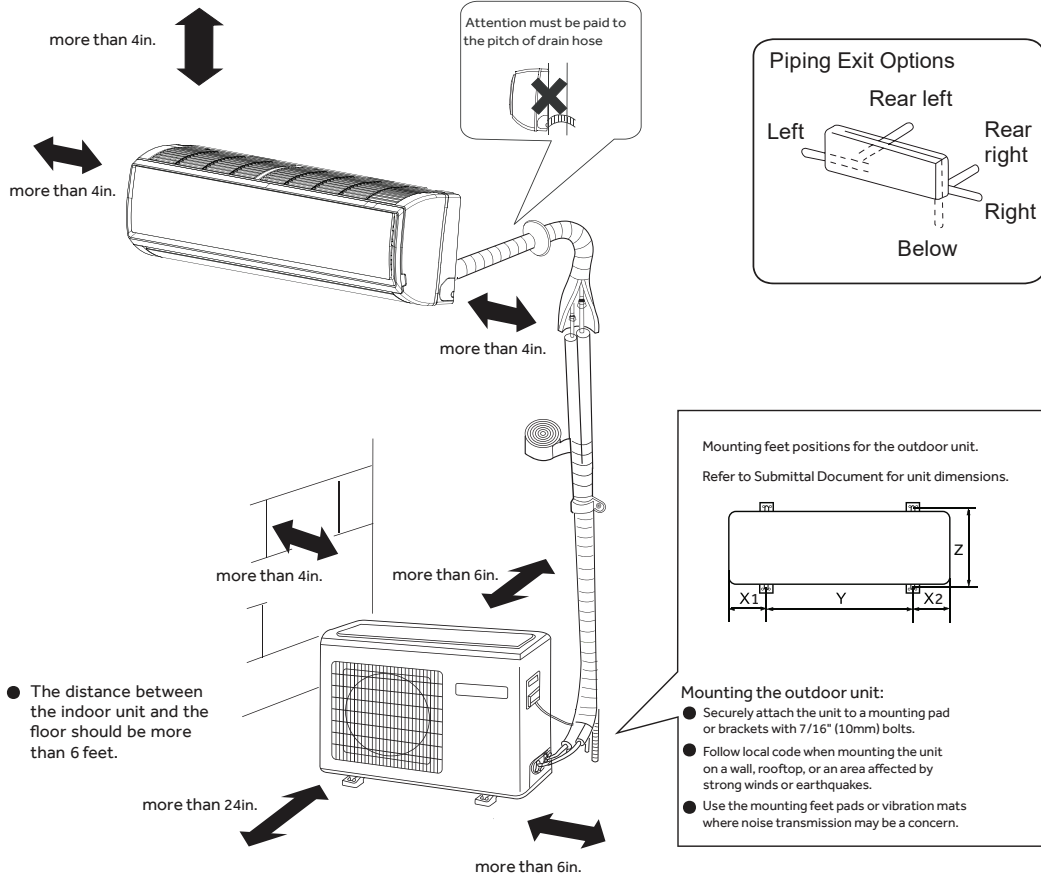
AW18EH2VHA/1U18EH2VHA



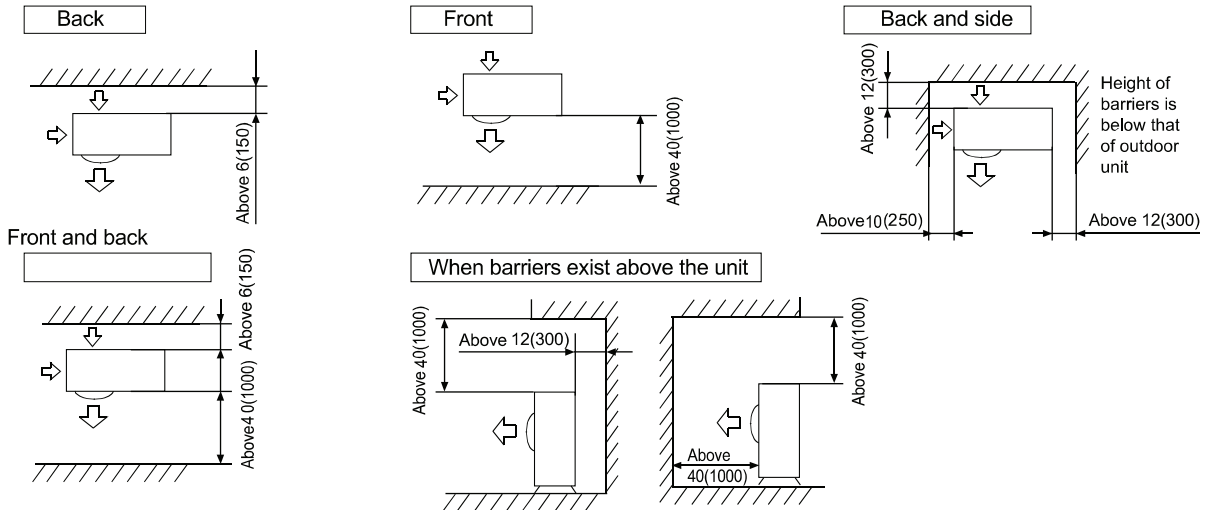
# SYSTEM CLEARANCES

## MINIMUM CLEARANCES (Appearance may vary)

This picture is for reference only, as your product may look different. Read your manual before installation. Explain the operation of the unit to the user according to this manual.



(1) Single-unit installation (unit: in. (mm.))



# SYSTEM

## Part 1: General

### 1.1 Description

- A. The Haier Arctic heat pump air conditioner shall be a variable capacity, mini-split type system comprised of a single outdoor and a single wall-mounted indoor unit.

### 1.2 Toxicity

- A. The heat pump system shall participate in RoHS compliance and listed in the directory.

## Part 2: Performance and Operating Range

### 2.1 Operating Range




- A. The heat pump shall provide a cooling outdoor temperature of 14°F ~ 115°F (-10°C ~ 46°C)
- B. The heat pump system shall be capable of providing greater than 70% capacity at -22°F (-30°C) outdoor ambient temperature.
- C. The heat pump system shall be capable of 100% rated heating capacity at 5°F (-15°C) outdoor ambient temperature.
- D. The heat pump shall operate normally with voltages between 187 ~ 253V.

### 2.2 Performance

The system shall perform within the specified operating window found on the following table.

- A. Cooling performance rating shall be verified following AHRI 210/240 standards of 80°F DB/67°F WB (27°/19°C) indoor temperature and 95°F DB/75°F WB (35°/24°C) outdoor temperature.
- B. Heating performance rating shall be verified following AHRI 210/240 standards of 70°F DB/60°F WB (21°/16°C) indoor temperature and 47°F DB/43°F WB (8°/6°C) outdoor temperature.

# SYSTEM

Model Name	System	09EH 	12EH 	18EH 
	Outdoor	1U09EH2VHA	1U12EH2VHA	1U18EH2VHA
	Indoor	AW09EH2VHB	AW12EH2VHB	AW18EH2VHB
Cooling	Rated Capacity Btu/hr	9,000	12,000	19,000
	Capacity Range Btu/hr	3,100-12,000	3,100-13,600	6,500-23,200
	Rated Power Input W	595	890	1520
	SEER	28	25	20
	EER	15.5	13	12.5
	Moisture Removal gal/hr	0.31	0.43	0.53
Heating	Rated Heating Capacity 47°F Btu/hr	12,000	16,500	20,400
	Heating Capacity Range Btu/hr	3,100-22,000	3,100-22,200	5,400-26,400
	Rated Power Input W	900	1,345	1,640
	HSPF (IV)	13.0	12.0	10.0
	HSPF (V)	11.3	10.4	8.7
	Rated Heating Capacity 17°F Btu/hr	9,000	10,000	18,500
	Max. Heating Cap. 17°F (-8°C) Btu/hr	12,000	16,500	20,400
	Max. Heating Cap. 5°F (-15°C) Btu/hr	12,000	16,500	20,400
	Max. Heating Cap. -5°F (-20°C) Btu/hr	12,000	15,200	17,620
	Max. Heating Cap. -15°F (-26°C) Btu/hr	11,200	13,900	16,900
Max. Heating Cap. -22°F (-30°C) Btu/hr	10,800	12,200	15,200	
Operating Range	Cooling °F (°C)	14~115 (-10~46)	14~115 (-10~46)	14~115 (-10~46)
	Heating °F (°C)	-22~75 (-30~24)	-22~75 (-30~24)	-22~75 (-30~24)
Power Supply	Voltage/Cycle/Phase	208-230/60/1	208-230/60/1	208-230/60/1
Outdoor Unit	Compressor Type	DC Inverter Driven Rotary		
	Maximum Fuse Size A	15	15	25
	Minimum Circuit Amp A	12	14	18
	Outdoor Fan Speed RPM	300-860	300-860	300-800
	Outdoor Noise Level dB	53	53	54
	Dimension: Height in (mm)	24 3/16 (614)	24 3/16 (614)	30 (762)
	Dimension: Width in (mm)	32 5/16 (820)	32 5/16 (820)	36 3/16 (920)
	Dimension: Depth in (mm)	13 5/16 (338)	13 5/16 (338)	15 1/8 (385)
	Weight (Ship/Net) - lbs (kg)	94.8/84.9 (43.0/38.5)	95.9/86.0 (43.5/39.0)	135.6/126.8 (61.5/57.5)
Indoor Unit	Fan Speeds	5 + Auto	5 + Auto	5 + Auto
	Airflow (Turbo/High/Med/Low/Quiet) CFM	470/410/350/290/230	440/410/380/311/260	710/650/560/440/410
	Motor Speed (Turbo/High/Med/Low/ Quiet) RPM	1200/1100/1000/900/800	1150/1050/900/750/650	1250/1150/1000/850/800
	Indoor Sound Level dB (Turbo/High/Med/ Low/Quiet)	42/39/37/28/23	42/39/37/28/23	49/47/42/36/34
	Dimension: Height in (mm)	12 1/4 (310)	12 1/4 (310)	13 1/4 (336)
	Dimension: Width in (mm)	35 7/16 (900)	35 7/16 (900)	43 7/8 (1115)
	Dimension: Depth in (mm)	8 1/4 (210)	8 1/4 (210)	9 9/16 (243)
	Weight (Ship/Net) - lbs (kg)	30.9/25.3 (14/11.5)	30.9/25.3 (14/11.5)	45.4/37.5 (20.6/17)
Refrigerant Lines	Connections	Flare	Flare	Flare
	Liquid O.D. in	1/4	1/4	1/4
	Suction O.D. in	3/8	3/8	1/2
	Factory Charge Oz	51.5	51.5	74.1
	Maximum Line Length ft/m	66/20	66/20	83/25
	Maximum Height ft/m	50/15	50/15	50/15

# SYSTEM

## Part 3: Installation Requirements

### 3.1 Lineset

- A. The connecting refrigerant lines between the indoor and outdoor units are to be supplied by the installer.
- B. The tubing must be annealed ACR-type copper, meeting ASTM B280 standards.
- C. The connecting tubing between the outdoor and indoor units shall be continuous in all possible situations.
- D. The tubing ends must be reamed inside and out, and must be flared using a 45° flaring tool approved for R-410A.
- E. Connections to the indoor and outdoor units shall be made with flare nuts that are supplied with the individual units.
- F. The flare nuts must be attached to indoor and outdoor units using a torque wrench and back-up wrench.

Pipe Size	Torque	A (inch)	Flare Shape
1/4	12 lb/ft 16.3 Nm	0.327-0.343	
3/8	27 lb/ft 36.6 Nm	0.472-0.488	
1/2	40 lb/ft 54.2 Nm	0.488-0.654	
5/8	50 lb/ft 67.8 Nm	0.732-0.748	
3/4	80 lb/ft 108.5 Nm	0.902-0.917	

- G. Each tube must be insulated with a minimum of 1/2 inch (12.7mm) closed-foam insulation that is UV resistant and meets ASTM Standard E84 25/50 flame spread/smoke development.
- H. The lineset between the indoor and outdoor must not exceed the listed maximum length and maximum height difference. See chart below.

System Models	Liquid	Vapor	Minimum Length	Maximum Length	Maximum Height Difference
1U09EH2VHA AW09EH2VHA	1/4 in	3/8 in	6 ft (1.8 m)	66 ft (20 m)	50 ft (15.25)
1U12EH2VHA AW12EH2VHA	1/4 in	3/8 in	6 ft (1.8 m)	66 ft (20 m)	50 ft (15.25)
1U18EH2VHA AW18EH2VHA	1/4 in	1/2 in	6 ft (1.8 m)	83 ft (25.3 m)	50 ft (15.25)

## Part 4: Electrical Requirements

### 4.1 Electrical Supply

- A. The operating electrical requirements shall be 208/230 volts AC, single-phase, 60 hertz. Voltage supplied to the outdoor unit must be between 187-253 volts.
- B. Power supply must be installed in accordance to NEC standards.

### 4.2 Connecting Wire to Indoor

- A. Connecting cable between the indoor unit(s) must be made with 4 conductor - 14 AWG stranded copper wire.
- B. Connecting wire must be continuous (without break) unless local code requires power disconnect next to indoor unit. See indoor electrical section 3.1 for the specification.



# OUTDOOR UNIT

## Part 1: General

### 1.1 Outdoor Unit

- A. The Haier Arctic outdoor unit shall be comprised of a condenser coil with all components and controls necessary to perform the rated operation.

### 1.2 Warranty

- A. The outdoor unit shall be covered by a manufacturer's parts warranty. See Appendix for details.

### 1.3 Sound Pressure Rating

Model	Sound Pressure Rating dB (A)
1U09EH2VHA	53
1U12EH2VHA	53
1U18EH2VHA	54

## Part 2: Installation

### 2.1 Condensate

- A. The installer must adhere to local building codes for managing condensate water produced by the outdoor unit.

### 2.2 Clearances

- A. The installer must follow the recommended clearances provided in the Installation Manual.

## Part 3: Components

### 3.1 Coil

- A. The outdoor coil shall be made with a blue colored hydrophilic coating on the aluminum fins and packed with internally grooved copper tubing, to increase the effective heat exchange surface area by 25%, resulting in higher efficiencies and shorter defrost cycles (approx. 29%).
- B. Coils shall be helium pressure tested at the factory within a range of 600 - 650 PSI.
- C. Outdoor unit shall be factory charged with R-410A refrigerant for 25 feet of lineset.

### 3.2 Fan Motor

- A. The outdoor fan motor shall be a brushless, variable speed DCV motor type.
- B. The fan motor shall be molded with heat-hardened resin.
- C. The fan motor shall have permanently lubricated SRC bearings.

### 3.3 Fan Blade

- A. The outdoor fan blade shall be a UL flame rated plastic-resin design.
- B. The fan blade shall be factory balanced in quiet performance and enhanced velocity.

### 3.4 Compressor

- A. The compressor shall be a DC rotary type and A-PAM inverter-driven for stable operation in lower and higher frequency.
- B. The compressor shall be variable speed, variable capacity.
- C. The compressor shall have an internal overload protection device.
- D. The compressor shall use PVE (FV50S) refrigerant oil for better anti-wear effectiveness, superior resistance to capillary tube blockage and no hydrolysis compared to POE oil.

### 3.5 4WV

- A. The outdoor unit shall contain a four-way reversing valve (4WV) to change system mode from cool to heat.

### 3.6 EEV

- A. The refrigerant flow shall be regulated by an electronic expansion valve (EEV).
- B. The outdoor control shall monitor the refrigerant flow through the EEV using a pulse-operated coil.
- C. The EEV shall maintain the target of 10°F (5.5°C) of superheat.

### 3.7 Base Pan

- A. The outdoor unit shall have a galvanized steel base pan.
- B. The base pan shall have multiple drain holes located under the coil and throughout the pan to provide efficient draining of defrost discharge and to prevent accumulation of damaging ice.

### 3.8 Pan Heater

- A. The base pan of the outdoor unit shall contain a tubular electric heater to prevent condensate water from freezing.
- B. The pan heater shall be enabled and operated by software when the ambient is below 37°F (3°C).
- C. The pan heater shall be protected with a thermal cut-out.

## OUTDOOR UNIT

### Part 3: Components (continued)

#### 3.9 Copper Piping

- A. All internally connected copper tubing shall conform to ASTM B280 tubing tolerances.

#### 3.10 Outdoor Enclosure Materials

- A. The outdoor cabinet shall be constructed of commercial grade DC51/DC52 hot-dip galvanized steel with coating.

#### 3.11 Defrost

- A. The outdoor unit shall have a reverse-cycle (hot gas) defrost system to maximize heat pump operation and minimize energy consumption.

#### 3.12 Accumulator

- A. The accumulator shall be connected to the compressor return line to prevent liquid refrigerant from entering the compressor during operation.

## WALL MOUNT INDOOR UNIT

### Part 1: General

#### 1.1 Description

- A. The wall mounted indoor section completes the system when connected to the matching outdoor unit and field-supplied piping and wiring.

#### 1.2 Warranty

- A. The wall mounted indoor unit shall be covered by a manufacturer's parts warranty. See Appendix for detail.

#### 1.3 Sound Pressure Rating

Model	Blower Pressure Sound Rating dB(A) (Turbo/High/Medium/Low/Quiet)
AW09EH2VHA	42/39/37/28/23
AW12EH2VHA	42/39/37/28/23
AW18EH2VHA	49/47/42/36/34

### Part 2: Installation Requirements

#### 2.1 Condensate

- A. The wall mounted indoor shall be shipped with a insulated polyethylene condensate tubing (5/8" ID) attached from the factory.
- B. The wall mounted indoor unit shall ship with a 6.5 ft (2m) corrugated drain tube that connects to the insulated drain tube.
- C. The wall mounted indoor unit shall be a gravity drain.

#### 2.2 Clearances

- A. The installer must follow the minimum clearances illustrated in the Installation Manual when installing the indoor unit.

#### 2.3 Mounting

- A. The wall mounted indoor unit shall ship with a galvanized metal wall bracket.
- B. The wall bracket shall have multiple anchor points to provide the installer with many options to firmly attach the wall mounted indoor unit to the wall.
- C. The field-supplied mounting hardware must be sufficient to adequately support the indoor unit.

# WALL MOUNT INDOOR UNIT

## Part 3: Electrical Requirements

### 3.1 Electrical Disconnect

- A. Connecting wire must be continuous (without break) unless local code requires a disconnect at the indoor unit.

Model	Fan Motor Rating (HP)
AW09EH2VHA	0.054
AW12EH2VHA	0.054
AW18EH2VHA	0.094

- B. If a disconnect is required by local code, it must be a 3-pole, single-throw type.

## Part 4: Components

### 4.1 Coil

- A. The indoor coil shall be made with a blue colored hydrophilic coating on the aluminum fins and packed with internally grooved copper tubing, to increase the effective heat exchange surface area by 25%.  
 B. Copper tubing shall have inner micro-grooves to increase effective heat transfer capabilities.  
 C. Coils shall be pressure tested at 600~650 PSI using helium leak detection.  
 D. The coil shall be charged with dry nitrogen for shipping at 70~100 PSI.

### 4.2 Fan Motor

- A. The fan motor shall be a sealed DC multiple-speed resin-packed motor  
 B. The fan motor shall have permanently lubricated bearings.  
 C. The AW09EH2VHA and AW12EH2VHA shall have an optimized fan motor and blower design to enable up to 40 feet of air flow.  
 D. The AW18EH2VHA shall have an optimized fan motor and blower design to enable up to 60 feet of air flow.

### 4.3 Fan Blade

- A. The fan blade shall be a corrosion-resistant cross-flow blower.  
 B. The fan shall be designed with optimized diameter and surface area to deliver quiet and even air flow.

### 4.4 Copper Piping

- A. The coil shall be connected to a length of insulated annealed copper.  
 B. The ends of the tubing shall have male flare connections.

### 4.5. Air Louvers

- A. The supply air shall be distributed by horizontal and vertical motorized louvers.  
 B. Air Louvers shall provide wide angle of operation for both horizontal (120°) and vertical (90° from top to down) airflow movement to provide room comfort for each corner.

### 4.6 Display

- A. The wall mounted indoor unit shall have a 4.5 x 1.1-inch backlit temperature display capable of showing set or room temperatures.  
 B. The display shall also have colored icons representing set mode.  
 C. The display can be turned off from the wireless remote control.

### 4.7 WiFi

- A. The wall mounted indoor unit shall be capable of connecting to WiFi using an adapter.

### 4.8 Filter

- A. The wall mounted indoor unit shall have removable air filters.  
 B. The air filters shall be washable and reusable.

### 4.9 Control

- A. The wall mounted indoor unit shall ship with a hand-held infrared remote control (YR-HG).  
 B. The wall mounted indoor unit shall be compatible with YR-E17, YR-E16B and QACT17A wired controls. The adapter, WK-B, shall be used with the indoor unit when connected to a wired controller.

### 4.10 Installation Clip

- A. The wall mounted indoor unit shall have a built-in clip that swings out and acts as a kick stand to allow for easier access to the rear of the unit during installation repair.

# CONTROLS AND ACCESSORIES

## Part 1: YR-HG Wireless Control

### 1.1 General

- A. The Haier wireless control (YR-HG) shall be compatible with Haier wall mounted and cassette indoor units.
- B. The wireless control (YR-HG) shall come packaged with wall mounted and compact cassette indoor units.

### 1.2 Connection

- A. The wireless control shall be infrared.

### 1.3 Warranty

- A. The warranty shall cover all defects in workmanship or material for a period of 1 year. Haier will provide a new or refurbished controller at its sole discretion.

### 1.4 Features

- A. The wireless control shall have a power button, individual mode buttons (Heat, Cool, Dry), temperature +/-, fan speed, vertical and horizontal louver adjustments.
- B. The wireless control shall be capable of setting a precise temperature of  $\pm 1^{\circ}\text{F}$  ( $\pm 0.5^{\circ}\text{C}$ ).
- C. The wireless control shall have a backlight.
- D. The wireless control shall have a child lock function.
- E. The wireless control shall have the ability to turn on/off the indoor unit display.
- F. The wireless control shall display either Fahrenheit or Celsius.

## Part 2: Wired Controllers

### 2.1 General

- A. The wired controller shall be a wall-mounted.

### 2.2 Connection

- A. The wired controller shall connect to an indoor unit using the supplied cable.
- B. Two wired controllers can connect to one indoor unit.
- C. A single wired controller shall be able to connect up to 16 of the same model type of indoor units. The connected units shall work in unison as a single zone.

### 2.3 Compatibility

- A. The wired controller shall be compatible with all Haier indoor units. Connection to a wall mounted unit requires a WK-B adapter. If multiple indoor units are connected to the controller, a WK-B adapter is required for each indoor unit.

### 2.4 Warranty

- A. The warranty shall cover all defects in workmanship or material for a period of 1 year. Haier will provide a new or refurbished controller, at its sole discretion.

### 2.5 YR-E17 Features

- A. The wired controller shall operate power, mode (heat, cool, dry), temperature +/-, fan speed.
- B. The wired controller shall be capable of setting a precise temperature of  $\pm 1^{\circ}\text{F}$  ( $\pm 0.5^{\circ}\text{C}$ ).
- C. The wired controller shall have a backlight.
- D. The wired controller shall have vertical and horizontal louver control.
- E. The wired controller shall have a child lock function.
- F. The wired controller shall display either Fahrenheit or Celsius.
- G. The wired controller shall have the ability to display indoor ambient temperature.
- H. The wired controller shall have a Clean Filter reminder.
- I. The wired controller shall display error codes.

### 2.6 YR-E16B Features

- A. The controller shall have a color display.
- B. The wired controller shall have a power button, individual mode buttons (heat, cool, dry), temperature +/-, fan speed, vertical and horizontal louver adjustments.
- C. The wired controller shall be capable of setting a precise temperature of  $\pm 1^{\circ}\text{F}$  ( $\pm 0.5^{\circ}\text{C}$ ).
- D. The wired controller shall have a backlight.
- E. The wired controller shall have a child lock function.
- G. The wired controller shall display either Fahrenheit or Celsius.
- H. The wired controller shall have the ability to display indoor ambient temperature.
- I. The wired controller shall have a Clean Filter reminder.
- J. The wired controller shall display error codes.
- K. The wired controller shall be able to be programmed for daily or weekly settings.

# CONTROLS AND ACCESSORIES

## Part 2: Wired Controllers (continued)

### 2.7 QACT17A Features

- A. The wired controller shall have large physical buttons for easy operation.
- B. The wired controller shall have a power button, a mode button (heat, cool, dry), a fan speed button, a temperature up button and a temperature down button.
- C. The wired controller shall be capable of setting a precise temperature of  $\pm 1^{\circ}\text{F}$  ( $\pm 0.5^{\circ}\text{C}$ ).
- D. The wired controller shall have a backlight.
- E. The wired controller shall have vertical and horizontal louver control.
- F. The wired controller shall have a child lock function.
- G. The wired controller shall display either Fahrenheit or Celsius.
- H. The wired controller shall have the ability to display indoor ambient temperature.
- I. The wired controller shall have a Clean Filter reminder.
- J. The wired controller shall display error codes.
- K. The wired controller shall have an infrared receiver that can receive commands from a Haier hand-held remote control.

## Part 3: QAWF01A WiFi Adapter

### 3.1 General

- A. The QAWF01A WiFi adapter shall connect to a smart device app that will provide the user the ability to set mode, temperature, and fan speed of the indoor unit.

### 3.2 Connection

- A. The WiFi adapter shall connect to the indoor wall mounted unit via the USB port.
- B. The WiFi adapter shall have an app that is compatible with both iOS and Android.
- C. The WiFi adapter shall be paired with existing 2.4GHz network
- D. The WiFi adapter shall comply with Part 15 of the FCC rules.

### 3.3 Compatibility

- A. The WiFi adapter shall be compatible with all wall mounted indoor units.

### 3.4 Warranty

- A. The warranty shall cover all defects in workmanship or material for a period of 1 year. Haier will provide a new or refurbished controller, at its sole discretion.

### 3.5 Features

- A. The WiFi adapter shall be Google Home compatible.
- B. The WiFi adapter shall be Amazon Alexa compatible.
- C. The homeowner shall have the ability to install and configure the WiFi adapter.

## Part 4: WK-B Interface Kit

### 4.1 General

- A. The WK-B adapter shall be used when connecting a wired controller to a wall mounted indoor unit.

### 4.2 Connection

- A. The WK-B adapter shall connect to the indoor unit with a supplied 3-wire cable.
- B. The wired controller shall connect to the WK-B with a supplied 3-wire cable.

### 4.3 Compatibility

- A. The WK-B adapter shall be compatible with all Haier mini-split and multi-split wall mounted indoor units.
- B. The WK-B adapter shall be compatible with YR-E17, YR-E16B, and QACT17A Haier wired controllers.

### 4.4 Warranty

- A. The warranty shall cover all defects in workmanship or material for a period of 1 year. Haier will provide a new or refurbished controller, at its sole discretion.

# NOTES

# LIMITED WARRANTY

For the product models listed on Attachment 1 (the "Product"), this Standard Limited Warranty is provided to the Original Owner of the Product:

For The Period Of:	Haier Will Replace:
5 year limited parts warranty From the date of the original purchase	This limited warranty cover all defects in workmanship or material for the mechanical and electrical parts contained in the Product ("Defective Parts") for a period of 5 years from the Date of Purchase. Haier will provide new or refurbished parts, or a replacement for all or part of the unit, at its sole discretion, to your licensed HVAC technician installer. This warranty also covers all defects in workmanship or material for the unit controller for a period of 1 year. The remote controller is covered by 1-year accessory warranty. The ductless system is covered by standard warranty. Haier will provide a new or refurbished controller, at its sole discretion.
7 year compressor warranty from the date of the original purchase	The compressor contained in this product is warranted for a period of 7 years from the Date of Purchase. Haier will provide a new or refurbished compressor, or a replacement for all or part of the unit, at its sole discretion, to your licensed HVAC technician installer.

## WHAT IS THE DATE OF PURCHASE

The "Date of Purchase" is the date that the original installation is complete and all product start-up procedures have been properly completed and verified by the installer's invoice. If the installation date cannot be verified, then the Date of Purchase will be sixty (60) days after the manufacture date, as determined by the Product's serial number. You should keep and be able to provide your original sales receipt from the installer as proof of the Date of Purchase. In new construction, the Date of Purchase will be the date the owner purchased the residence from the builder.

## WHO IS COVERED

Owner occupied: The "Original Owner" of this product, which means the original owner (and his or her spouse) of the residence where the Product was originally installed. Subject to the law of the state or province where the Product is installed, this warranty is not transferable to subsequent owners or if the product is moved to a different residence after the initial installation. Non-owner occupied: This limited warranty is provided for product 1) installed in a) single family or multi-family non-owner occupied residential buildings, or b) non-industrial commercial applications, (such as office buildings, retail establishments, hotels/motels) where the product is not subjected to an atmosphere with corrosives or high levels of particulates (such as soot, aerosols, fumes, grease), and 2) if the product is maintained annually by a licensed HVAC technician (proof of annual maintenance is required). The "Original Owner" of the product, means the original owner of the building where the product was originally installed. For new construction, the purchaser of the building from the builder will also be considered an original owner. This warranty is not transferable to subsequent owners or if the product is moved to a different location after the initial installation.

## HOW CAN YOU GET SERVICE

Contact your licensed HVAC technician installer. All installation and service must be performed by a licensed HVAC technician. Failure to use a licensed HVAC technician for installation of this Product voids all warranty on this Product..

## THIS WARRANTY DOES NOT COVER

- Damage from improper installation.
- Damage in shipping.
- Defects other than from manufacturing (i.e., workmanship or materials).
- Damage from misuse, abuse, accident, alteration, lack of proper care and/or regular maintenance, or incorrect electrical voltage or current.
- Damage resulting from floods, fires, wind, lightning, accidents or similar conditions.
- Damage from installation or other services performed by other than a licensed HVAC technician.
- Labor and related services for repair or installation of the Product.
- A Product purchased from an online retailer.
- Damage as a result of subjecting Product to an atmosphere with corrosives or high levels of particulates (such as soot, aerosols, fumes, grease).
- A Product sold and/or installed outside of the 50 United States, the District of Columbia, or Canada.
- Batteries for the controller and other accessories provided with the Product for installation (e.g., plastic hose).
- Normal maintenance, such as cleaning of coils, cleaning filters, and lubrication.
- For Product installed in non-owner occupied applications, Product that has not been maintained annually by a licensed HVAC technician (proof required).

Staple your receipt here. Proof of the original purchase date is needed to obtain service under the warranty.

# LIMITED WARRANTY

## 10 YEAR STANDARD REGISTERED LIMITED WARRANTY

---

All "Indoor and Outdoor Products," identified in Attachment 1, registered by the installer or the Original Owner within 60 days of the Date of Purchase shall receive a Standard Registered Limited Warranty, which shall be identical to the Standard Base Warranty, except that the Limited Parts Warranty shall be for a term of 10 Years and the Limited Compressor Warranty shall be for a term of 10 years. All Product not registered within 60 days of the Date of Purchase shall be subject to the Standard Base Warranty. Some states and provinces do not allow warranty terms to be subject to registration; in those states and provinces the longer terms for Limited Parts Warranty and the Limited Compressor Warranty apply.

---

## **THIS LIMITED WARRANTY IS GIVEN IN LIEU OF ALL OTHER WARRANTIES, EXPRESS OR IMPLIED, INCLUDING THE WARRANTIES OF MERCHANTABILITY AND FITNESS FOR A PARTICULAR PURPOSE.**

---

The remedy provided in this warranty is exclusive and is granted in lieu of all other remedies. This warranty does not cover incidental or consequential damages. Some states and provinces do not allow the exclusion of incidental or consequential damages, so this limitation may not apply to you. Some states and provinces do not allow limitations on how long an implied warranty lasts, so this limitation may not apply to you. This warranty gives you specific legal rights and you may also have other rights which vary by state and province. This warranty covers units within the 50 United States, the District of Columbia and Canada. This warranty is provided by GE Appliances a Haier company, Louisville, KY 40225.

---

## ATTACHMENT 1

---

The "Product" is defined as Haier brand Ductless Split Units. The "Product" contains 2 sub-categories of goods: "Indoor and Outdoor Products" and "Selected Installation Products," which are further defined below: "Indoor and Outdoor Products" can further be identified by the following model number descriptions: 1U\*, 2U\*, 3U\*, 4U\*, AB\*, AD\*, AL\*, AM\*, AW\*, AF\*, MVA\* MVH\* "Selected Installation Products," identified by the following model number descriptions: PB-\* FQG-\*, AH1-\* , MS1-\* and MS3-\*

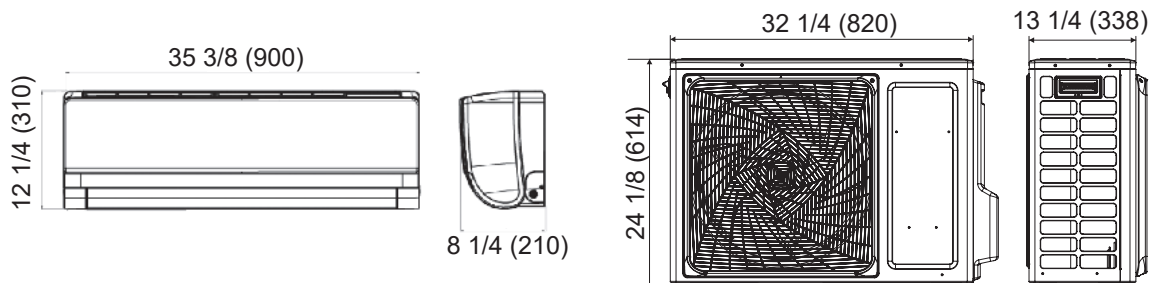


# TABLE DES MATIÈRES

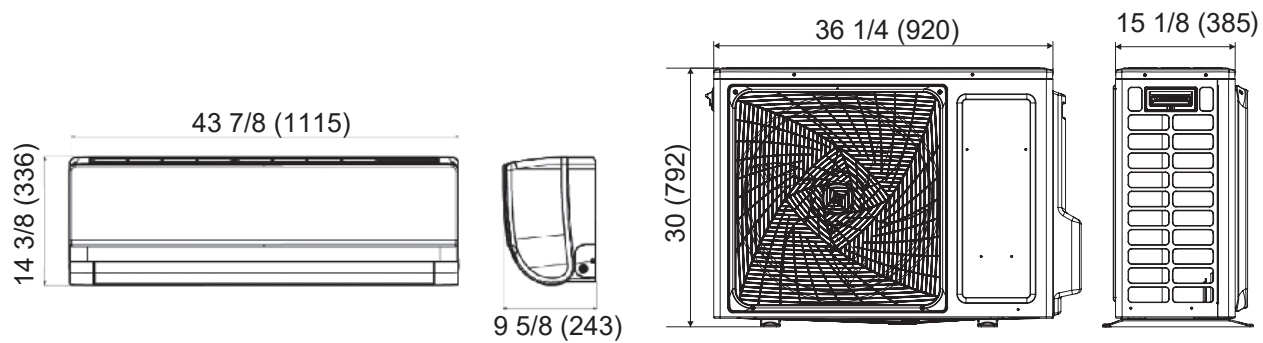
<b>DIMENSIONS DE L'APPAREIL</b> .....	<b>18</b>
<b>DÉGAGEMENTS DU SYSTÈME</b> .....	<b>19</b>
<b>SYSTÈME</b> .....	<b>20</b>
Partie 1 : Généralités .....	20
Partie 2 : Plage de fonctionnement et rendement .....	20
Partie 3 : Exigences d'installation .....	22
Partie 4 : Exigences électriques .....	22
<b>UNITÉ EXTÉRIEURE</b> .....	<b>23</b>
Partie 1 : Généralités .....	23
Partie 2 : Installation .....	23
Partie 3 : Composants .....	23
<b>UNITÉ INTÉRIEURE MURALE</b> .....	<b>24</b>
Partie 1 : Généralités .....	24
Partie 2 : Exigences d'installation .....	24
Partie 3 : Exigences électriques .....	25
Partie 4 : Composants .....	25
<b>COMMANDES ET ACCESSOIRES</b> .....	<b>26</b>
Partie 1 : Télécommande YR-HG .....	26
Partie 2 : Commandes câblées .....	26
Partie 3 : Adaptateur Wi-Fi QAWF01A .....	27
Partie 4 : Trousse d'interface WK-B .....	27
<b>GARANTIE LIMITÉE</b> .....	<b>29</b>

# DIMENSIONS DE L'APPAREIL

AW09EH2VHA/1U09EH2VHA  
AW12EH2VHA/1U12EH2VHA



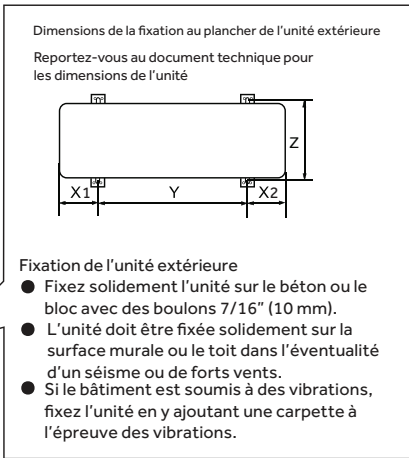
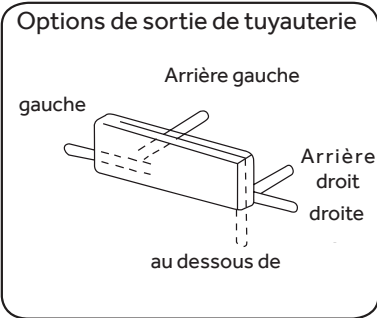
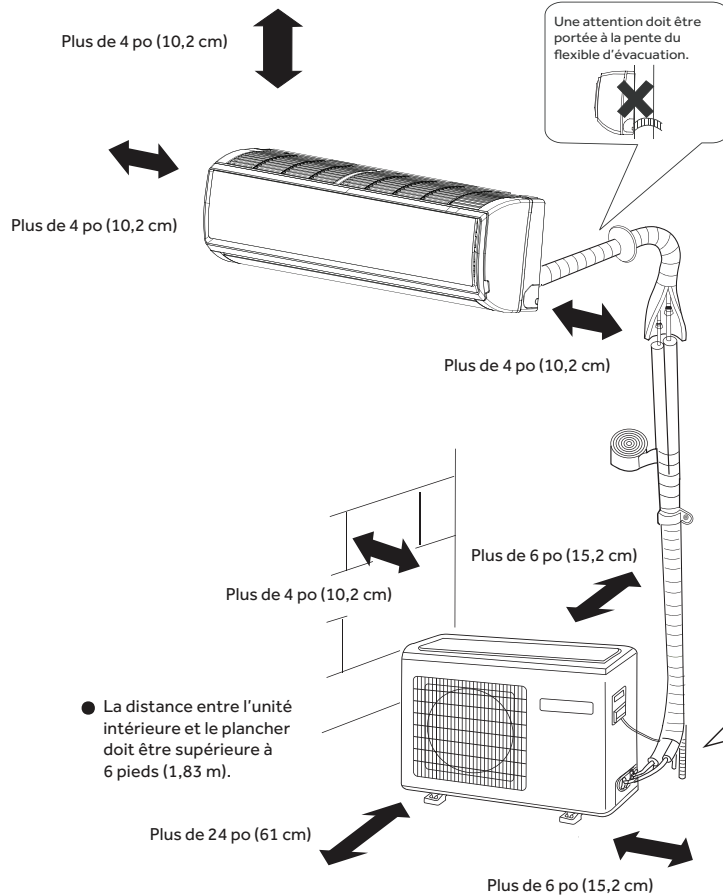
AW18EH2VHA/1U18EH2VHA



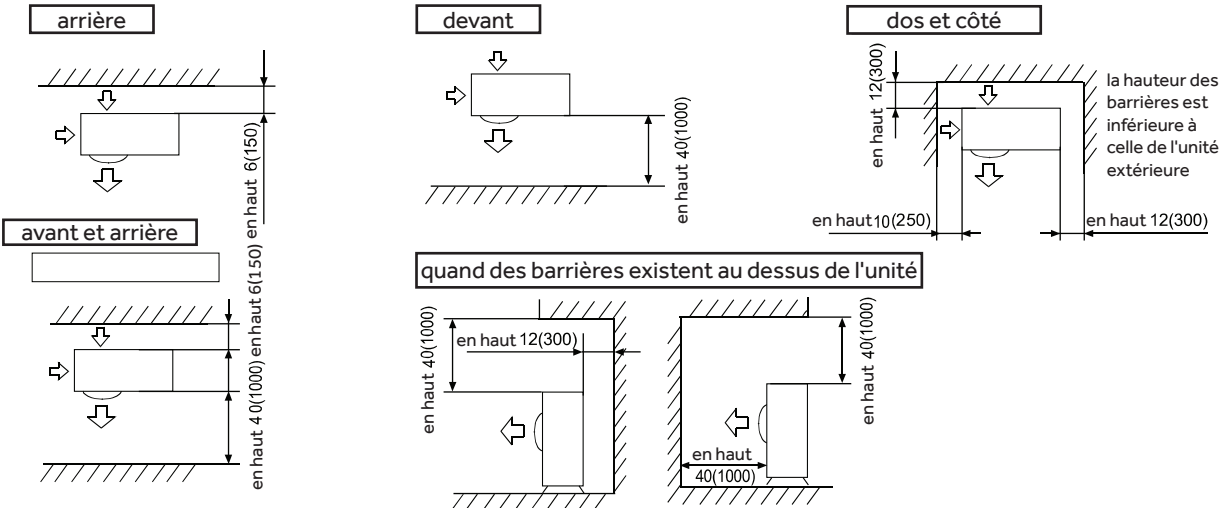
# DÉGAGEMENTS DU SYSTÈME

## DÉGAGEMENTS MINIMAUX (L'aspect peut varier)

Cette illustration est pour référence seulement. L'aspect de votre produit peut être différent. Lisez votre manuel avant l'installation. Expliquez le fonctionnement de l'appareil à l'utilisateur selon ce manuel.



(1) installation à l'unité (unité: in. (mm.))



# SYSTÈME

## Partie 1 : Généralités

### 1.1 Description

- A. Le climatiseur à thermopompe Arctic de Haier doit être de type bi-blocs à capacité variable composé d'une unité extérieure et d'une unité intérieure murale.

### 1.2 Toxicité

- A. La thermopompe doit adhérer à la directive RoHS et figurer dans son registre.

## Partie 2 : Plage de fonctionnement et rendement

### 2.1 Plage de fonctionnement




- A. La thermopompe doit générer des températures allant de 14 °F à 115 °F (-10 °C à 46 °C).
- B. La thermopompe doit générer une capacité supérieure à 70 % à une température extérieure de -22 °F (-30 °C).
- C. La thermopompe doit générer une capacité de chauffage nominale de 100 % à une température extérieure de 5 °F (-15 °C).
- D. La thermopompe doit fonctionner normalement à une tension de 187 à 253 V.

### 2.2 Rendement

Le rendement du système doit se situer dans le créneau de fonctionnement présenté dans le tableau suivant.

- A. Le rendement de climatisation doit être vérifié selon les normes AHRI 210/240 pour des températures intérieures de 80 °F ts / 67 °F tm (27°/19 °C) et des températures extérieures de 95 °F ts / 75 °F tm (35°/24 °C).
- B. Le rendement de chauffage doit être vérifié selon les normes AHRI 210/240 pour des températures intérieures de 70°F ts / 60 °F tm (21°/16°C) et des températures extérieures de 47 °F ts / 43 °F tm (8°/6 °C).

# SYSTÈME

Nom de modèle	Systeme	09EH 	12EH 	18EH 
	Extérieur	1U09EH2VHA	1U12EH2VHA	1U18EH2VHA
	Intérieur	AW09EH2VHB	AW12EH2VHB	AW18EH2VHB
Climatisation	Capacité nominale Btu/h	9,000	12,000	19,000
	Plage de capacités Btu/h	3,100-12,000	3,100-13,600	6,500-23,200
	Puissance d'entrée nominale W	595	890	1520
	Taux rendement énergétique saisonnier	28	25	20
	Taux rendement énergétique	15.5	13	12.5
	Suppression d'humidité gal/h	0.31	0.43	0.53
Chauffage	Capacité chauffage nominale 17 °F Btu/h	12,000	16,500	20,400
	Plage de capacités Btu/h	3,100-22,000	3,100-22,200	5,400-26,400
	Puissance d'entrée nominale W	900	1,345	1,640
	HSPF (IV)	13.0	12.0	10.0
	HSPF (V)	11.3	10.4	8.7
	Capacité chauffage nominale 17 °F Btu/h	9,000	10,000	18,500
	Cap. chauff. max. 17 °F (-8 °C) Btu/h	12,000	16,500	20,400
	Cap. chauff. max. 5 °F (-15 °C) Btu/h	12,000	16,500	20,400
	Cap. chauff. max. -5 °F (-20 °C) Btu/h	12,000	15,200	17,620
	Cap. chauff. max. -15 °F (-26 °C) Btu/h	11,200	13,900	16,900
Cap. chauff. max. -22 °F (-30 °C) Btu/h	10,800	12,200	15,200	
Plage fonctionn	Climatisation °F (°C)	14-115 (-10-46)	14-115 (-10-46)	14-115 (-10-46)
	Chauffage °F (°C)	-22-75 (-30-24)	-22-75 (-30-24)	-22-75 (-30-24)
Alimentation	Tension/Cycle/Phase	208-230/60/1	208-230/60/1	208-230/60/1
Unité extérieure	Type compresseur	Rotatif contrôlé par onduleur CC		
	Calibre fusible max. - A	15	15	25
	Intensité circuit min. - A	12	14	18
	Vit. ventilateur ext. - tr/min	300-860	300-860	300-800
	Niv. sonore ext. - dB	53	53	54
	Dimension : Hauteur - po (mm)	24 3/16 (614)	24 3/16 (614)	30 (762)
	Dimension : Largeur - po (mm)	32 5/16 (820)	32 5/16 (820)	36 3/16 (920)
	Dimension : Prof. - po (mm)	13 5/16 (338)	13 5/16 (338)	15 1/8 (385)
	Poids (Exp./Net) - lb (kg)	94.8/84.9 (43.0/38.5)	95.9/86.0 (43.5/39.0)	135.6/126.8 (61.5/57.5)
Unité intérieure	Phases vit. ventilateur	5 + Auto	5 + Auto	5 + Auto
	Débit d'air (Turbo/Haut/Moy/Bas/Silence) pi <sup>3</sup> /min	470/410/350/290/230	440/410/380/311/260	710/650/560/440/410
	Vit. moteur (Turbo/Haut/Moy/Bas/Silence) tr/min	1200/1100/1000/900/800	1150/1050/900/750/650	1250/1150/1000/850/800
	Niv. sonore int. (Turbo/Haut/Moy/Bas/Silence) dB	42/39/37/28/23	42/39/37/28/23	49/47/42/36/34
	Dimension : Hauteur - po (mm)	12 1/4 (310)	12 1/4 (310)	13 1/4 (336)
	Dimension : Largeur - po (mm)	35 7/16 (900)	35 7/16 (900)	43 7/8 (1115)
	Dimension : Prof. - po (mm)	8 1/4 (210)	8 1/4 (210)	9 9/16 (243)
	Poids (Exp./Net) - lb (kg)	30.9/25.3 (14/11.5)	30.9/25.3 (14/11.5)	45.4/37.5 (20.6/17)
Tuyaux réfrigérant	Raccords	Conique	Conique	Conique
	Liquide - D.E. po	1/4	1/4	1/4
	Aspiration - D.E. po	3/8	3/8	1/2
	Charge d'usine - oz	51.5	51.5	74.1
	Long. conduite max. - pi/m	66/20	66/20	83/25
	Hauteur max. pi/m	50/15	50/15	50/15

## Partie 3 : Exigences d'installation

### 3.1 Tuyauterie

- A. Les tuyaux de réfrigérant qui raccordent les unités intérieure et extérieure doivent être fournis par l'installateur.
- B. La tuyauterie doit être en cuivre recuit de type ACR satisfaisant les normes ASTM B280.
- C. La tuyauterie qui raccorde les unités intérieure et extérieure doit être continue dans toutes les situations possibles.
- D. Les extrémités de la tuyauterie doivent être fraisées à l'intérieur et l'extérieur, et évasées à l'aide d'un outil à évaser de 45° homologué pour le réfrigérant R-410A.
- E. Les raccords des unités intérieure et extérieure doivent être réalisées avec des raccords coniques fournis avec les unités.
- F. Les écrous à embase doivent être posés sur les unités intérieure et extérieure à l'aide d'une clé dynamométrique et d'une clé d'appoint

Dia. tuyau	Couple	A (po)	Évasement
1/4	12 lb/ft 16.3 Nm	0.327-0.343	
3/8	27 lb/ft 36.6 Nm	0.472-0.488	
1/2	40 lb/ft 54.2 Nm	0.488-0.654	
5/8	50 lb/ft 67.8 Nm	0.732-0.748	
3/4	80 lb/ft 108.5 Nm	0.902-0.917	

- G. Chaque tuyau doit être isolé à l'aide d'un isolant de mousse à cellules fermées d'un minimum de 1/2 po (12,7 mm), résistant aux UV et conforme à la norme ASTM E84 25/50 relative à la propagation des flammes/dégagement de fumée.
- H. La tuyauterie entre l'intérieur et l'extérieur ne doit pas excéder la longueur maximale et la différence de hauteur maximale. Voyez le tableau ci-dessous.

Modèles de système	Liquide	Vapeur	Longueur min.	Longueur max.	Différence hauteur max.
1U09EH2VHA AW09EH2VHA	1/4 in	3/8 in	6 ft (1.8 m)	66 ft (20 m)	50 ft (15.25)
1U12EH2VHA AW12EH2VHA	1/4 in	3/8 in	6 ft (1.8 m)	66 ft (20 m)	50 ft (15.25)
1U18EH2VHA AW18EH2VHA	1/4 in	1/2 in	6 ft (1.8 m)	83 ft (25.3 m)	50 ft (15.25)

## Partie 4 : Exigences électriques

### 4.1 Alimentation électrique

- A. L'alimentation électrique doit être de 208/230 volts CA, monophasée, 60 hertz. La tension fournie à l'extérieur doit se situer entre 187 et 254 volts.
- B. L'alimentation électrique doit être installée en conformité avec les normes NEC.

### 4.2 Connexion du câble à l'intérieur

- A. La connexion entre l'(es)unité(s) intérieure(s) doit s'effectuer à l'aide d'un câble torsadé en cuivre de calibre 14 AWG à 4 conducteurs.
- B. Le câble de connexion doit être continu, sans coupure, sauf si le code local exige un interrupteur d'alimentation à proximité de l'unité intérieure. Voyez la section 3.1 pour les prescriptions relatives à l'électricité intérieure.

# UNITÉ EXTÉRIEURE

## Partie 1 : Généralités

### 1.1 Unité Extérieure

A. L'unité extérieure Arctic de Haier doit comporter un condenseur à serpentin avec toutes les commandes précâblées nécessaires à un fonctionnement en douceur.

### 1.2 Garantie

A. L'unité extérieure doit être couverte par la garantie du fabricant sur les pièces. Voyez l'annexe pour des détails sur la garantie complète.

### 1.3 Pression sonore nominale

Modèle	Pression sonore nominale - dB (A)
1U09EH2VHA	53
1U12EH2VHA	53
1U18EH2VHA	54

## Partie 2 : Installation

### 2.1 Condensat

A. L'installateur doit satisfaire le code du bâtiment local pour la gestion de l'eau de condensation produite par l'unité extérieure.

### 2.2 Dégagements

A. L'installateur doit respecter les dégagements indiqués dans le manuel d'instructions relatif à l'installation.

## Partie 3 : Composants

### 3.1 Serpentin

A. A Le serpentin extérieur doit comporter un enduit hydrophile bleu sur ses ailettes en aluminium et une tubulure en cuivre rainurée à l'intérieur afin d'augmenter la surface de l'échange de chaleur de 25 % pour accroître l'efficacité et écourter le cycle de dégivrage (en. 29 %).

B. Les serpentins doivent être soumis à un test de pression en usine dans une plage de 600 à 650 PSA suivant la méthode de détection de fuite à l'hélium pour garantir un système étanche.

C. L'unité extérieure doit être chargée à l'usine avec du réfrigérant R-410A en proportion de la tuyauterie de réfrigérant.

### 3.2 Moteur de ventilateur

A. Le moteur du ventilateur extérieur doit être de type sans balais, à vitesse variable et de courant continu (CC).

B. Le moteur du ventilateur doit être moulé avec une résine traitée thermiquement.

C. Le moteur du ventilateur doit comporter des paliers SRC à lubrification permanente.

### 3.3 Hélice de ventilateur

A. L'hélice du ventilateur extérieur doit être fabriquée d'une résine plastique homologuée UL relativement à la résistance aux flammes.

B. L'hélice du ventilateur doit être équilibrée à l'usine pour réduire la vibration de l'appareil.

### 3.4 Compresseur

A. Le compresseur doit être de type rotatif CC, contrôlé par onduleur A-PAM pour un fonctionnement stable en basse ou haute fréquence.

B. Le compresseur doit être à vitesse et capacité variables.

C. Le compresseur doit être doté d'un dispositif interne de protection contre la surcharge.

D. Le compresseur doit comporter une huile pour réfrigérant PVE (FV50S) afin d'améliorer la résistance à l'usure et à l'obstruction de la tubulure capillaire, sans hydrolyse comparé à l'huile POE.

### 3.5 Robinet inverseur à 4 voies

A. L'unité extérieure doit contenir un robinet inverseur à 4 voies (4WV) pour faire passer le mode du système de climatisation à chauffage.

### 3.6 Détendeur électronique

A. La circulation de réfrigérant doit être régulée par un détendeur électronique (ang. EEV).

B. La commande extérieure doit contrôler la circulation de réfrigérant à travers le détendeur électronique à l'aide d'une bobine à impulsions.

C. Le détendeur électronique (ang. EEV) doit maintenir une cible de 10 °F (5,5 °C) de surchauffe.

### 3.7 Plateau de base

A. L'unité extérieure doit comporter un plateau de base en acier galvanisé.

B. Le plateau de base doit comporter plusieurs trous d'évacuation situés sous le serpentin et sur l'ensemble du plateau afin de procurer une évacuation efficace de la charge de dégivrage et prévenir l'accumulation de glace nuisible.

### 3.8 Élément chauffant du plateau

A. Le plateau à la base de l'unité extérieure doit contenir un élément chauffant électrique tubulaire afin de prévenir le gel de l'eau de condensat.

B. L'élément chauffant du plateau doit être activé et contrôlé par logiciel lorsque la température ambiante descend sous 37 °F (3°C).

C. L'élément chauffant du plateau doit être protégé par thermorupteur.

# UNITÉ EXTÉRIEURE

## Partie 3 : Composants (suite)

### 3.9 Tuyauterie en cuivre

A. Toute la tuyauterie de raccordement intérieure doit satisfaire la norme ASTM B280 relative à la tolérance de tuyauterie.

### 3.10 Matière de la carrosserie extérieure

A. La carrosserie extérieure doit être fabriquée en acier galvanisé à chaud de nuance commerciale DC51/DC52 avec enduit.

### 3.11 Dégivrage

A. L'unité extérieure doit comporter un système de dégivrage par inversion de cycle (gaz chaud) afin de maximiser le fonctionnement de la thermopompe et minimiser la consommation d'énergie.

### 3.12 Bouteille tampon

A. La bouteille tampon doit être raccordée à la conduite de retour du compresseur afin d'empêcher le réfrigérant liquide de pénétrer dans le compresseur pendant le fonctionnement.

# UNITÉ INTÉRIEURE MURALE

## Partie 1 : Généralités

### 1.1 Description

A. La section intérieure murale complète le système une fois raccordée à l'unité extérieure, la tuyauterie et le câblage correspondants.

### 1.2 Garantie

A. L'unité intérieure murale doit être couverte par la garantie du fabricant sur les pièces. Voyez l'annexe pour des détails sur la garantie complète.

### 1.3 Pression sonore nominale

Modèle	Pression sonore nominale de la soufflante dB(A) (Turbo/Haute/Moyenne/Basse/Silencieux)
AW09EH2VHA	42/39/37/28/23
AW12EH2VHA	42/39/37/28/23
AW18EH2VHA	49/47/42/36/34

## Partie 2 : Exigences d'installation

### 2.1 Condensat

A. L'unité intérieure murale doit être livrée avec un tuyau à condensat en polyéthylène isolé (5/8 po D. I.) attaché à l'usine.

B. L'unité intérieure murale doit être livrée avec un tuyau d'évacuation annelé de 6,5 pi (2 m) qui se raccorde au tuyau à condensat isolé.

C. L'évacuation de l'unité intérieure murale doit se faire par gravité.

### 2.2 Dégagements

A. L'installateur doit respecter les dégagements minimaux indiqués dans le manuel d'installation lors de l'installation de l'unité intérieure.

### 2.3 Montage

A. L'unité intérieure murale doit être livrée avec un support mural en métal galvanisé.

B. Le support mural doit comporter plusieurs points d'ancrage afin d'offrir à l'installateur plusieurs options pour fixer solidement l'unité murale intérieure sur le mur.

C. La ferronnerie de montage achetée localement doit supporter adéquatement l'unité intérieure.



# UNITÉ INTÉRIEURE MURALE

## Partie 3 : Exigences électriques

### 3.1 Disjoncteur

- A. Le câble de connexion doit être continu, sans coupure, sauf si le code local exige un interrupteur d'alimentation à proximité de l'unité intérieure.

Modèle	Puiss. moteur vent. (HP)
AW09EH2VHA	0.054
AW12EH2VHA	0.054
AW18EH2VHA	0.094

- B. Si un disjoncteur est requis par le code local, il doit être de type unidirectionnel tripolaire.

## Partie 4 : Composants

### 4.1 Serpentin

- A. Le serpentin intérieur doit comporter un enduit hydrophile bleu sur ses ailettes en aluminium et une tubulure en cuivre rainurée à l'intérieur afin d'augmenter la surface de l'échange de chaleur de 25 %.
- B. La tuyauterie en cuivre doit comporter des micro-rainures intérieures afin d'augmenter l'efficacité de transfert de chaleur.
- C. Le serpentin doit être soumis à un test de pression à 600~650 PSI au moyen d'une détection à l'hélium.
- D. Le serpentin doit être chargé avec de l'azote sec afin d'être livré à une pression domestique de 70~100 PSI.

### 4.2 Moteur de ventilateur

- A. Le moteur de ventilateur extérieur doit être étanche, enrobé de résine et de courant continu (CC).
- B. Le moteur du ventilateur doit comporter des paliers à lubrification permanente.
- C. Les modèles AW09EH2VHA et AW12EH2VHA doivent comporter un moteur de ventilateur et une soufflante optimisés pour permettre jusqu'à 40 pieds (12,2 m) de circulation d'air.
- D. Le modèle AW18EH2VHA doit comporter un moteur de ventilateur et une soufflante optimisés pour permettre jusqu'à 60 pieds (18,3 m) de circulation d'air.

### 4.3 Hélice de ventilateur

- A. L'hélice de ventilateur doit être de type tangentiel et résister à la corrosion.
- B. Le ventilateur doit comporter un diamètre et une surface optimisés pour générer une circulation d'air uniforme et silencieuse.

### 4.4 Tuyauterie en cuivre

- A. Le serpentin doit être raccordé à un tuyau annelé en cuivre isolé.
- B. Les extrémités du tuyau doivent comporter des raccords évasés femelles.

### 4.5 Évents à lames

- A. L'air fourni doit être distribué par des évents verticaux et horizontaux motorisés.
- B. Les évents à lames doivent présenter un grand angle de fonctionnement pour les mouvements d'air horizontaux (120°) et verticaux (90° de haut en bas) afin de procurer un confort ambiant dans chaque coin.

### 4.6 Afficheur

- A. L'unité intérieure murale doit comporter un afficheur de température rétroéclairé de 4,5 x 1,1 po (11,4 x 2,8 cm) capable d'afficher les températures ambiante et de réglage.
- B. L'afficheur doit aussi comporter des icônes de couleur représentant le mode du réglage.
- C. L'afficheur doit pouvoir s'éteindre au moyen d'une télécommande.

### 4.7 Wi-Fi

- A. L'unité intérieure murale doit pouvoir se connecter au réseau Wi-Fi à l'aide d'un adaptateur.

### 4.8 Filtre

- A. L'unité intérieure murale doit comporter des filtres à air amovibles.
- B. Les filtres à air doivent être lavables et réutilisables.

### 4.9 Commande

- A. L'unité intérieure murale doit être livrée avec une télécommande infrarouge manuelle (YR-HG).
- B. L'unité intérieure murale doit être compatible avec les commandes câblées YR-E17, YR-E16B et QACT17A. L'adaptateur WK-B doit être utilisé avec l'unité intérieure lorsque connecté à une commande câblée.

### 4.10 Bras d'accès

- A. L'unité intérieure murale doit comporter un bras intégré qui se déploie et agit comme une béquille facilitant l'accès à l'arrière de l'unité lors d'une réparation.

# COMMANDES ET ACCESSOIRES

## Partie 1 : Télécommande YR-HG

### 1.1 Généralités

- A. La télécommande Haier (YR-HG) doit être compatible avec les unités intérieures murales et à cassette Haier.
- B. La télécommande (YR-HG) doit être livrée avec les unités intérieures murales et à cassette Haier.

### 1.2 Connexion

- A. La télécommande doit communiquer par infrarouge.

### 1.3 Compatibilité

- A. La télécommande doit être compatible avec toutes les unités intérieures murales et à cassette Haier.

### 1.4 Garantie

- A. La garantie doit aussi couvrir tous les vices de matière et de fabrication de l'accessoire durant une période de 1 an. Haier fournira, à sa seule discrétion, une commande neuve ou réusinée.

### 1.5 Caractéristiques

- A. La télécommande doit comporter les boutons de commande suivants : mise en marche, modes individuels (Chauffage, Climatisation, sec), température +/-, vitesse du ventilateur, réglage des événements vertical et horizontal.
- B. La télécommande doit être capable de régler une température précise à  $\pm 1$  °F ( $\pm 0,5$  °C).
- C. La télécommande doit être rétroéclairée.
- D. La télécommande doit commander les événements horizontal et vertical.
- E. La télécommande doit comporter une fonction de sécurité-enfants.
- F. La télécommande doit pouvoir allumer ou éteindre l'afficheur de l'unité intérieure.
- G. La télécommande doit pouvoir afficher la température en Fahrenheit et Celsius.

## Partie 2 : Commandes câblées

### 2.1 Généralités

- A. La commande câblée doit être à montage mural et commander l'unité intérieure.

### 2.2 Connexion

- A. La commande câblée doit se connecter à l'unité intérieure à l'aide du câble de 3 po (7,6 cm) fourni.
- B. Deux commandes câblées doivent pouvoir se connecter à une unité intérieure.
- C. Une commande câblée individuelle doit pouvoir se connecter à jusqu'à 16 unités intérieures de même modèle. Les unités connectées doivent fonctionner conjointement comme une zone individuelle.

### 2.3 Compatibilité

- A. La commande câblée doit être compatible avec toutes les unités intérieures Haier. La connexion à unité murale exige un adaptateur WK-B. Si plusieurs unités intérieures sont connectées à la commande, un adaptateur WK-B est requis pour chaque unité intérieure.

### 2.4 Garantie

- A. La garantie doit aussi couvrir tous les vices de matière et de fabrication de l'accessoire durant une période de 1 an. Haier fournira, à sa seule discrétion, une commande neuve ou réusinée.

### 2.5 Caractéristiques de la commande YR-E17

- A. La commande câblée doit commander les fonctions suivantes : mise sous tension, mode (chauffage, climatisation, sec), température +/-, vitesse du ventilateur.
- B. La commande câblée doit être capable de régler une température précise à  $\pm 1$  °F ( $\pm 0,5$  °C).
- C. La commande câblée doit être rétroéclairée.
- D. La commande câblée doit commander les événements horizontal et vertical.
- E. La commande câblée doit comporter une fonction de sécurité-enfants.
- F. La commande doit pouvoir afficher la température en Fahrenheit et Celsius.
- G. La commande câblée doit pouvoir afficher la température ambiante intérieure.
- H. La commande câblée doit comporter un rappel de filtre propre.
- I. La commande câblée doit afficher les codes d'erreur.

### 2.6 Caractéristiques de la commande YR-E16B

- A. La commande doit comporter un afficheur en couleur.
- B. La commande câblée doit comporter les boutons de commande suivants : mise en marche, modes individuels (chauffage, climatisation, sec), température +/-, vitesse du ventilateur, réglage des événements vertical et horizontal.
- C. La commande câblée doit être capable de régler une température précise à  $\pm 1$  °F ( $\pm 0,5$  °C).
- D. La commande câblée doit être rétroéclairée.
- E. La commande câblée doit commander les événements horizontal et vertical.
- F. La commande câblée doit comporter une fonction de sécurité-enfants.
- G. La commande doit pouvoir afficher la température en Fahrenheit et Celsius.
- H. La commande câblée doit pouvoir afficher la température ambiante intérieure.
- I. La commande câblée doit comporter un rappel de filtre propre.
- J. La commande câblée doit afficher les codes d'erreur.
- K. La commande câblée doit se programmer selon des réglages quotidiens ou hebdomadaires. Il peut s'agir de réglages de mode ou de température.

# COMMANDES ET ACCESSOIRES

## Partie 2 : Commande câblée (suite)

### 2.7 QACT17A Caractéristiques

- A. La commande câblée doit comporter de gros boutons physiques pour faciliter son utilisation.
- B. La commande câblée doit comporter les boutons suivants: mise sous tension, mode (chauffage, climatisation, déshumidification), vitesse du ventilateur, élévation et baisse de la température.
- C. La commande câblée doit être capable de régler une température précise à  $\pm 1$  °F ( $\pm 0,5$  °C).
- D. La commande câblée doit être rétroéclairée.
- E. La commande câblée doit commander les événements horizontal et vertical.
- F. La commande câblée doit comporter une fonction de sécurité-enfants.
- G. La commande doit pouvoir afficher la température en Fahrenheit et Celsius.
- H. La commande câblée doit pouvoir afficher la température ambiante intérieure.
- I. La commande câblée doit comporter un rappel de filtre propre.
- J. La commande câblée doit afficher les codes d'erreur.
- K. La commande câblée doit comporter un récepteur infrarouge pouvant recevoir des commandes de la télécommande manuelle Haier.

## Partie 3 : Adaptateur Wi-Fi QAWF01A

### 3.1 Généralités

- A. L'adaptateur Wi-Fi QAWF01A Wi-Fi doit se connecter à une application pour petits appareils portables permettant à l'utilisateur de régler le mode, la température et la vitesse du ventilateur de l'unité intérieure.

### 3.2 Connexion

- A. L'adaptateur Wi-Fi doit se connecter à l'unité intérieure murale via le port USB.
- B. L'adaptateur Wi-Fi doit comporter une application compatible iOS et Android.
- C. L'adaptateur Wi-Fi doit être jumelé au réseau 2,4 GHz existant.
- D. L'adaptateur Wi-Fi doit satisfaire la partie 15 des règlements de la FCC.

### 3.3 Compatibilité

- A. L'adaptateur doit être compatible avec toutes les unités intérieures murales Haier.

### 3.4 Garantie

- A. La garantie doit aussi couvrir tous les vices de matière et de fabrication de l'accessoire durant une période de 1 an. Haier fournira, à sa seule discrétion, un régulateur neuf ou réusiné.

### 3.5 Caractéristiques

- A. L'adaptateur Wi-Fi doit être compatible avec Google Home.
- B. L'adaptateur Wi-Fi doit être compatible avec Amazon Alexa.
- C. Le propriétaire doit pouvoir installer et configurer l'adaptateur Wi-Fi.

## Partie 4 : Trousse d'interface WK-B

### 4.1 Généralités

- A. L'adaptateur WK-B doit être utilisé pour connecter une commande câblée à une unité intérieure murale.

### 4.2 Connexion

- A. L'adaptateur WK-B doit se connecter à l'unité intérieure à l'aide du câble trifilaire fourni.
- B. La commande câblée doit se connecter à l'adaptateur WK-B à l'aide du câble trifilaire fourni.

### 4.3 Compatibilité

- A. L'adaptateur WK-B doit être compatible avec toutes les unités intérieures murales bi-blocs ou multi-blocs Haier.
- B. L'adaptateur WK-B doit être compatible avec les commandes câblées YR-E17, YR-E16B et QACT17A.

### 4.4 Garantie

- A. La garantie doit aussi couvrir tous les vices de matière et de fabrication de l'accessoire durant une période de 1 an. Haier fournira, à sa seule discrétion, une commande neuve ou réusinée.

# NOTES

# GARANTIE LIMITÉE

Cette Garantie limitée standard est attribuée à l'Acheteur initial du Produit pour les modèles énumérés sous l'Annexe 1 (le « Produit ») :

For The Period Of:	Haier Will Replace:
Garantie limitée de 5 ans sur les pièces	Cette garantie couvre tous les vices de matière et de fabrication des pièces mécaniques et électriques contenues dans le Produit (« Pièces défectueuses ») durant une période de cinq (5) ans à partir de la Date d'achat. Haier fournira des pièces neuves ou réusinées ou, à sa seule discrétion, un remplacement de l'ensemble ou d'une partie de l'appareil, à votre technicien-installateur en chauffage, ventilation et climatisation agréé. Cette garantie couvre aussi tous les vices de matière et de fabrication du contrôleur de l'appareil durant une période de 1 an. Le contrôleur à distance est couvert par une garantie sur accessoire de un (1) an. Le système sans conduite est couvert par la garantie standard. Haier fournira, à sa seule discrétion, un régulateur neuf ou réusiné.
Garantie de 7 ans sur le compresseur	Le compresseur contenu dans ce produit est garanti durant une période de sept (7) ans à partir de la Date d'achat. Haier fournira un compresseur neuf ou réusiné ou, à sa seule discrétion, un remplacement de l'ensemble ou d'une partie de l'appareil, à votre technicien-installateur en chauffage, ventilation et climatisation agréé.

## QUELLE EST LA DATE D'ACHAT :

La « Date d'achat » est la date à laquelle l'installation d'origine a été complétée et toutes les procédures de mise en service du Produit ont été correctement exécutées et vérifiées d'après la facture de l'installateur. Si la date de l'installation ne peut pas être vérifiée, alors la Date d'achat tombera soixante (60) jours suivant la date de fabrication, telle que déterminée par le numéro de série du Produit. Vous devez conserver et être en mesure de fournir votre ticket de caisse d'origine de l'installateur comme preuve de la Date d'achat. Pour une nouvelle construction, la Date d'achat sera celle à laquelle le propriétaire a acquis sa résidence du constructeur.

## QUI EST COUVERT :

Occupant(s) propriétaire(s) : Le « Propriétaire initial » de ce produit, c'est-à-dire le propriétaire initial (et son épouse ou époux) de la résidence où le Produit a été installé initialement. Sous réserve de la loi de l'État ou la province où le Produit a été installé, cette garantie n'est pas transférable aux propriétaires subséquents ni si le Produit a été déplacé dans une résidence différente après l'installation initiale. Occupant(s) non propriétaire(s) : Cette garantie couvre le Produit 1) installé dans a) un immeuble résidentiel unifamilial ou multifamilial d'occupant(s) non propriétaire(s), ou b) un immeuble commercial non industriel, (tels que immeubles de bureaux, établissements de vente au détail, hôtels/motels) où le Produit n'est pas exposé à une atmosphère corrosive ou à des niveaux élevés de particules (telles que suie, aérosols, vapeurs, graisse), et 2) si le Produit fait l'objet d'un entretien annuel par un technicien en chauffage, ventilation et climatisation agréé (preuve d'entretien annuel requise). Le « Propriétaire initial » de ce Produit, c'est-à-dire le propriétaire initial de l'immeuble où le Produit a été installé initialement. Pour une nouvelle construction, l'acheteur de l'immeuble du constructeur sera aussi considéré comme le Propriétaire initial. Cette garantie n'est pas transférable aux propriétaires subséquents ni si le Produit a été déplacé à un emplacement différent après l'installation initiale.

## COMMENT OBTENIR UN SERVICE D'INSTALLATION OU DE RÉPARATION :

Communiquez avec votre technicien-installateur en chauffage, ventilation et climatisation agréé. Tous les services d'installation et de réparation doivent être réalisés par un technicien en chauffage, ventilation et climatisation agréé. L'omission de recourir à un technicien en chauffage, ventilation et climatisation agréé pour l'installation de ce Produit annule toute garantie sur ce Produit.

## ESTA GARANTÍA NO CUBRE

- Les dommages résultant d'une installation incorrecte.
- Les dommages survenus pendant l'expédition.
- Les vices qui ne sont pas attribuables à la fabrication (c.-à-d. matière et main-d'œuvre).
- Les dommages résultant d'un mauvais usage, d'un abus, d'un accident, d'une modification, d'un manque de soins appropriés et/ou d'un entretien régulier, ou d'un courant électrique incorrect.
- Les dommages résultant d'une inondation, d'un incendie, du vent, de la foudre, d'un accident ou de conditions similaires.
- Les dommages résultant d'une installation ou d'autres services réalisés par une personne qui n'est pas un technicien en chauffage, ventilation et climatisation agréé.
- La main-d'œuvre et les services connexes pour la réparation ou l'installation du Produit.
- Un Produit acheté auprès d'un revendeur en ligne.
- Les dommages résultant de l'exposition du Produit à une atmosphère qui comporte des substances corrosives ou des niveaux élevés de particules (telles que suie, aérosols, vapeurs, graisse).
- Un Produit vendu et/ou installé à l'extérieur des cinquante (50) États des États-Unis, du district de Columbia ou du Canada.
- Les piles du contrôleur et des autres accessoires fournis avec le Produit pour l'installation (p.ex. flexible en plastique).
- L'entretien normal tel que le nettoyage des serpentins et des filtres et la lubrification.
- Un Produit installé dans un immeuble occupé par de(s) non propriétaire(s) s'il n'a pas fait l'objet d'un entretien annuel par un technicien en chauffage, ventilation et climatisation agréé (preuve requise).

# GARANTIE LIMITÉE

## GARANTIE LIMITÉE ENREGISTRÉE STANDARD DE 10 ANS

Tous les « Produits intérieurs et extérieurs » identifiés dans l'Annexe 1, enregistrés par l'installateur ou le Propriétaire initial dans un délai de soixante (60) jours à partir de la Date d'achat, recevront une Garantie limitée enregistrée standard qui sera identique à la Garantie de base standard, excepté que la période de la Garantie limitée sur les pièces et la Garantie limitée sur le compresseur sera de dix (10) ans. Tout Produit non enregistré dans un délai de soixante (60) jours à partir de la date d'achat sera assujéti à la Garantie de base standard. Certains États et provinces ne permettent pas que les périodes de la garantie soient assujétiées à l'enregistrement; dans ces États et provinces, ce sont les périodes plus longues de la Garantie limitée sur les pièces et la Garantie limitée sur le compresseur qui s'appliquent.

**CETTE GARANTIE LIMITÉE SE SUBSTITUE À TOUTE AUTRE GARANTIE, EXPRESSE OU IMPLICITE, Y COMPRIS TOUTE GARANTIE RELATIVE À LA QUALITÉ MARCHANDE OU L'ADÉQUATION À UN USAGE PARTICULIER.**

Le recours autorisé dans cette garantie est exclusif et il est accordé en remplacement de tout autre recours. Cette garantie ne couvre pas les dommages accessoires ou indirects. Certains États ou provinces ne permettent pas l'exclusion des dommages accessoires ou indirects, donc cette limitation peut ne pas s'appliquer à vous. Certaines États ou provinces ne permettent pas de limiter la durée d'une garantie implicite, donc cette limitation peut ne pas s'appliquer à vous. Cette garantie vous accorde des droits particuliers et il peut exister d'autres droits qui varient selon l'État ou la province. Cette garantie couvre les appareils dans les cinquante (50) États des États-Unis, du district de Columbia ou du Canada Cette garantie est attribuée par GE Appliances a Haier company, Louisville, KY 40225.

## ANNEXE 1

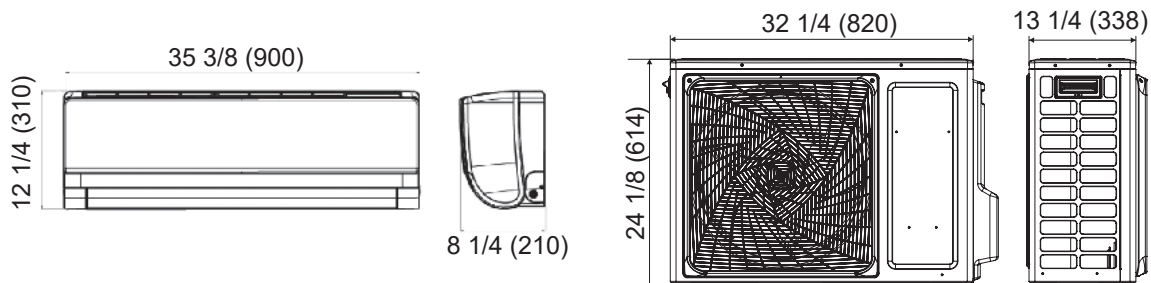
Le « produit » est défini comme étant les unités divisées sans conduits de la marque Haier. Le « Produit » comprend 2 sous-catégories de produits: «Produits d'intérieur et d'extérieur» et «Produits d'installation sélectionnés», définis plus en détail ci-après: «Produits d'intérieur et d'extérieur» peut également être identifié par les descriptions de numéro de modèle suivantes: 1U \*, 2U \*, 3U \*, 4U \*, AB \*, AD \*, AL \*, AM \*, AW \*, AF \*, MVA \* MVH \* «Produits d'installation choisis», identifiés par les descriptions de numéro de modèle suivantes: PB- \* FQG - \*, AH1- \* , MS1- \* et MS3- \*

# ÍNDICE

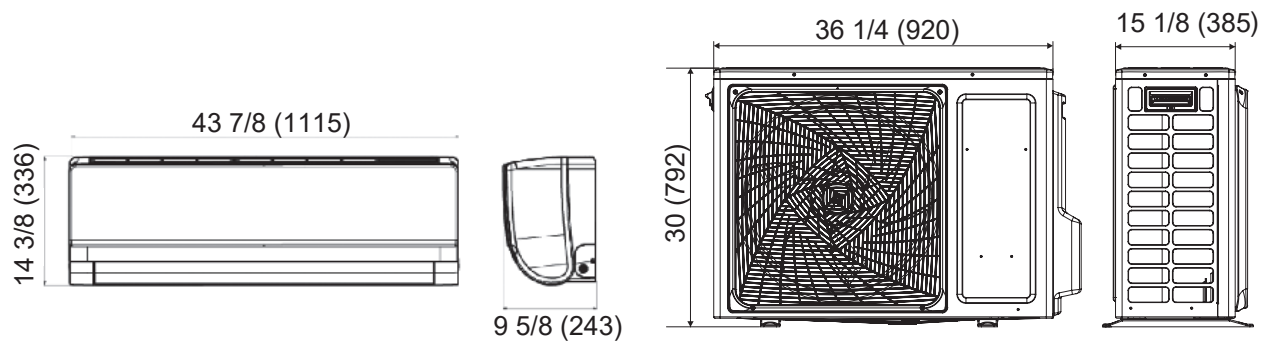
<b>DIMENSIONES DE LA UNIDAD</b> .....	<b>32</b>
<b>ESPACIOS LIBRES DEL SISTEMA</b> .....	<b>33</b>
<b>SISTEMA</b> .....	<b>34</b>
Parte 1: General .....	34
Parte 2: Rendimiento y Rango de Funcionamiento .....	34
Parte 3: Requisitos de Instalación .....	36
Parte 4: Requisitos Eléctricos.....	36
<b>UNIDAD EXTERIOR</b> .....	<b>37</b>
Parte 1: General .....	37
Parte 2: Instalación .....	37
Parte 3: Componentes .....	37
<b>UNIDAD INTERIOR CON MONTAJE DE PARED</b> .....	<b>38</b>
Parte 1: General .....	38
Parte 2: Requisitos de Instalación.....	38
Parte 3: Requisitos Eléctricos.....	39
Parte 4: Componentes .....	39
<b>CONTROLES Y ACCESORIOS</b> .....	<b>40</b>
Parte 1: Control Inalámbrico YR-HG .....	40
Parte 2: Requisitos de Instalación.....	40
Parte 2: Controlador Cableado (continúa) .....	41
Parte 4: WK-B Kit de Interface .....	41
<b>GARANTÍA LIMITADA</b> .....	<b>43</b>

# DIMENSIONES DE LA UNIDAD

AW09EH2VHA/1U09EH2VHA  
AW12EH2VHA/1U12EH2VHA



AW18EH2VHA/1U18EH2VHA

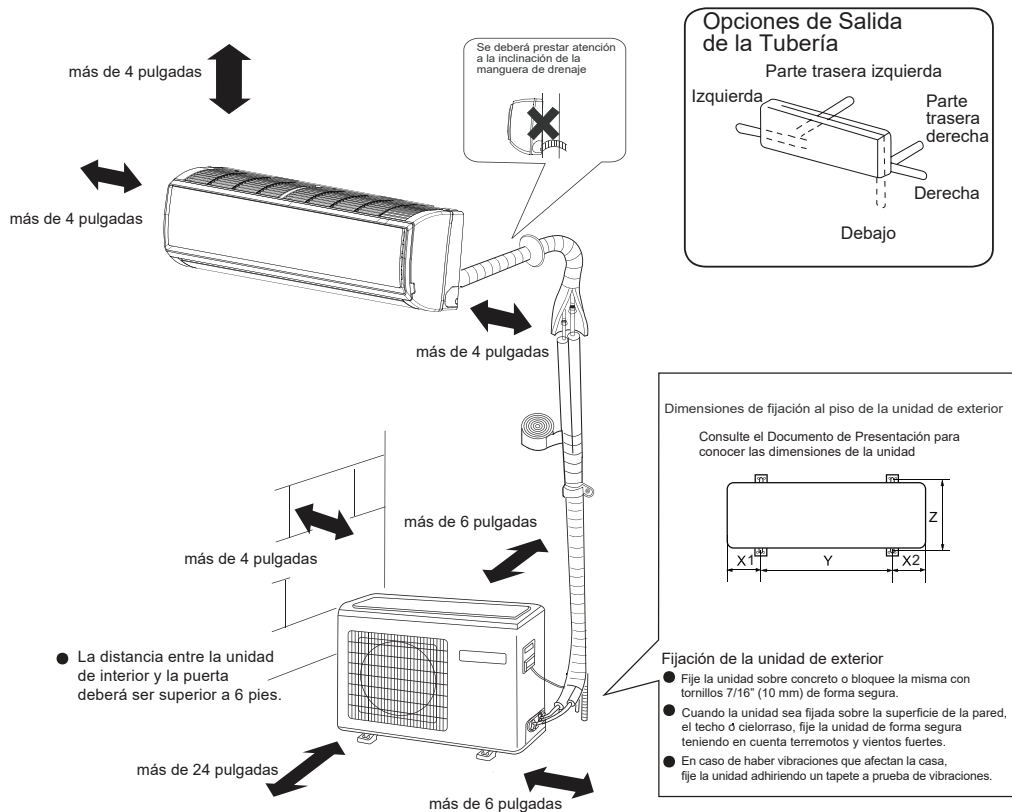




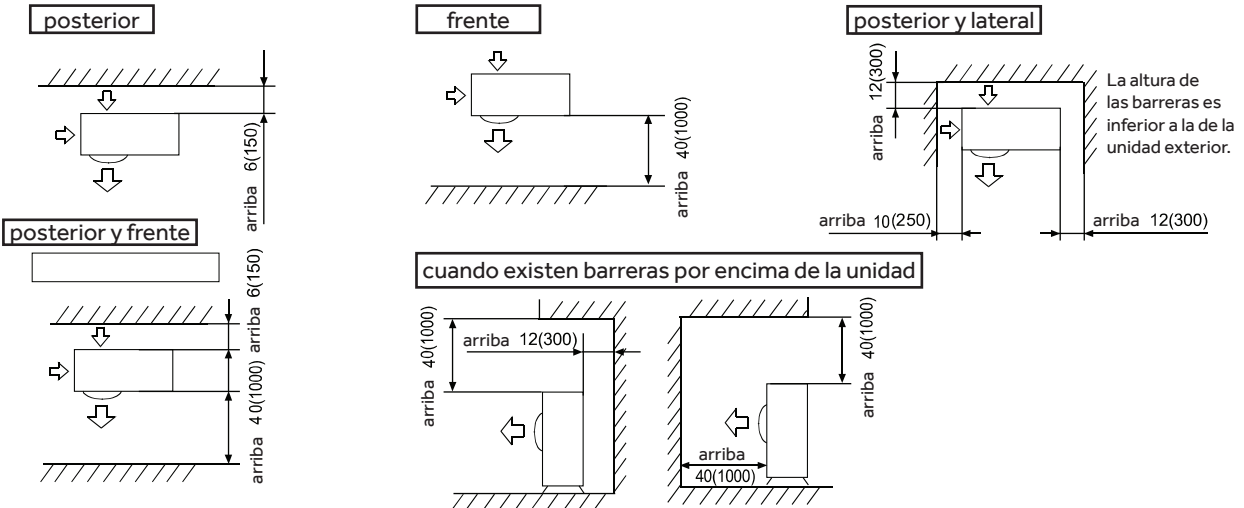
# ESPACIOS LIBRES DEL SISTEMA

## DESPEJES MÍNIMOS (El aspecto puede variar)

Esta imagen sólo sirve como referencia. El aspecto de su producto podrá ser diferente. Lea el manual antes de realizar la instalación. Explique el funcionamiento de la unidad al usuario, de acuerdo con este manual.



### (1) instalación de la unidad lateral (unite: in. (mm.))



# SISTEMA

## Parte 1: General

### 1.1 Descripción

A. El acondicionador de aire con bomba de calor Haier Arctic es un sistema de tipo mini split con capacidad variable, compuesto por una sola unidad de exterior y una sola unidad de interior montada en la pared.

### 1.2 Toxicidad

A. El sistema con bomba de calor participa en el cumplimiento de RoHS y deberá figurar en el listado del directorio.

## Parte 2: Rendimiento y Rango de Funcionamiento

### 2.1 Rango de Funcionamiento

A. La bomba de calor brindará un rango de temperatura de refrigeración de 14°F ~ 115°F (-10°C ~ 46°C)

B. El sistema con bomba de calor podrá brindar una capacidad superior al 70% en una temperatura ambiente exterior de -22°F (-30°C).

C. El sistema con bomba de calor podrá brindar una capacidad nominal de calefacción del 100% con una temperatura ambiente exterior de 5°F (-15°C).

D. La bomba de calor funcionará normalmente con voltajes de entre 187 ~ 253V.




### 2.2 Rendimiento

El sistema funcionará dentro de la ventana de funcionamiento especificada que se encuentra en la siguiente tabla.

A. La calificación del rendimiento de refrigeración será verificada siguiendo los estándares de AHRI 210/240 de 80°F db/67°F wb (27°/19°C) para temperatura interior y 95°F db/75°F wb (35°/24°C) para temperatura exterior.

B. La calificación del rendimiento de calefacción será verificada siguiendo los estándares de AHRI 210/240 de 70°F db/60°F wb (21°/16°C) para temperatura interior y 47°F db/43°F wb (8°/6°C) para temperatura exterior.

# SISTEMA

Nombre del Modelo	Sistema	09EH 	12EH 	18EH 
	Exterior	1U09EH2VHA	1U12EH2VHA	1U18EH2VHA
	Interior	AW09EH2VHB	AW12EH2VHB	AW18EH2VHB
Refrigeración	Capacidad Nominal Btu/hr	9,000	12,000	19,000
	Gama de Potencia Btu/hr	3,100~12,000	3,100~13,600	6,500~23,200
	Potencia Nominal en Entrada W	595	890	1520
	SEER	28	25	20
	EER	15.5	13	12.5
	Retiro de Humedad gal/hr	0.31	0.43	0.53
Calefacción	Capacidad Nominal de Calefacción 17°F Btu/hr	12,000	16,500	20,400
	Gama de Potencia Btu/hr	3,100~22,000	3,100~22,200	5,400~26,400
	Potencia Nominal en Entrada W	900	1,345	1,640
	HSPF (IV)	13.0	12.0	10.0
	HSPF (V)	11.3	10.4	8.7
	Capacidad Nominal de Calefacción 17°F Btu/hr	9,000	10,000	18,500
	Capacidad Máx. de Calefacción 17°F (-8°C) Btu/hr	12,000	16,500	20,400
	Capacidad Máx. de Calefacción 5°F (-15°C) Btu/hr	12,000	16,500	20,400
	Capacidad Máx. de Calefacción -5°F (-20°C) Btu/hr	12,000	15,200	17,620
	Capacidad Máx. de Calefacción -15°F (-26°C) Btu/hr	11,200	13,900	16,900
Capacidad Máx. de Calefacción -22°F (-30°C) Btu/hr	10,800	12,200	15,200	
Rango de Funcionamiento	Refrigeración °F (°C)	14~115 (-10~46)	14~115 (-10~46)	14~115 (-10~46)
	Calefacción °F (°C)	-22~75 (-30~24)	-22~75 (-30~24)	-22~75 (-30~24)
Suministro de Corriente	Voltaje/Ciclo/Fase	208-230/60/1	208-230/60/1	208-230/60/1
Unidad Exterior	Tipo de Compresor	Rotación Conducida del Inversor de DC		
	Tamaño Máximo del Fusible A	15	15	25
	Amperaje Mínimo del Circuito A	12	14	18
	Número de RPM del Ventilador Exterior	300-860	300-860	300-800
	Nivel de Ruido Exterior en dB	53	53	54
	Dimensión: Altura en pulg. (mm)	24 3/16 (614)	24 3/16 (614)	30 (762)
	Dimensión: Ancho en pulg. (mm)	32 5/16 (820)	32 5/16 (820)	36 3/16 (920)
	Dimensión: Profundidad en pulg. (mm)	13 5/16 (338)	13 5/16 (338)	15 1/8 (385)
Altura (Envío/ Neta) – libras. (Kg.)	94.8/84.9 (43.0/38.5)	95.9/86.0 (43.5/39.0)	135.6/126.8 (61.5/57.5)	
Unidad Interior	Niveles de Velocidad del Ventilador	5 + Auto	5 + Auto	5 + Auto
	Flujo de Aire (Turbo/ Alto/ Medio/ Bajo/ Silencioso) CFM	470/410/350/290/230	440/410/380/311/260	710/650/560/440/410
	Velocidad del Motor (Turbo/ Alto/ Medio/ Bajo/ Silencioso) RPM	1200/1100/1000/900/800	1150/1050/900/750/650	1250/1150/1000/850/800
	Nivel de Sonido Interior en dB (Turbo/ Alto/ Medio/ Bajo/ Silencioso)	42/39/37/28/23	42/39/37/28/23	49/47/42/36/34
	Dimensión: Altura en pulg. (mm)	12 1/4 (310)	12 1/4 (310)	13 1/4 (336)
	Dimensión: Ancho en pulg. (mm)	35 7/16 (900)	35 7/16 (900)	43 7/8 (1115)
	Dimensión: Profundidad en pulg. (mm)	8 1/4 (210)	8 1/4 (210)	9 9/16 (243)
	Altura (Envío/ Neta) – libras. (Kg.)	30.9/25.3 (14/11.5)	30.9/25.3 (14/11.5)	45.4/37.5 (20.6/17)
Tuberías de Refrigerante	Conexiones	Abocardada	Abocardada	Abocardada
	Diám. Ext. líquido en pulg.	1/4	1/4	1/4
	Diám. Ext. de Succión en pulg.	3/8	3/8	1/2
	Carga de Fábrica en Onzas	51.5	51.5	74.1
	Longitud Máxima de la Tubería en pies/m	66/20	66/20	83/25
	Altura Máxima en pies/m	50/15	50/15	50/15

## Parte 3: Requisitos de Instalación

### 3.1 Lineset

- A. Las tuberías de refrigerante que conectan las unidades interior y exterior deberán ser suministradas por el instalador.
- B. La tubería deberá ser de cobre templado tipo ACR, y en cumplimiento con los estándares ASTM B280.
- C. La tubería que conecta las unidades de exterior e interior deberá ser continua en todas las situaciones en las cuales sea posible.
- D. Los extremos de la tubería deberán estar escariados por dentro y por fuera, y deberán ser abocardados con un abocardador de 45° aprobado para R-410A.
- E. Las conexiones a las unidades interior y exterior deberán ser realizadas con las tuercas abocardadas que son suministradas con las unidades individuales.
- F. Las tuercas abocardadas se deben adherir a las unidades interior y exterior, usando una llave dinamométrica y una llave de respaldo.

Tamaño de la Tubería	Rotación	A (pulgada)	Forma Abocardada
1/4	12 lb/ft 16.3 Nm	0.327-0.343	
3/8	27 lb/ft 36.6 Nm	0.472-0.488	
1/2	40 lb/ft 54.2 Nm	0.488-0.654	
5/8	50 lb/ft 67.8 Nm	0.732-0.748	
3/4	80 lb/ft 108.5 Nm	0.902-0.917	

- G. Cada tubería deberá ser aislada con aislante de espuma de celda cerrada de un mínimo de ½ pulgada (12.7 mm), resistente a los rayos UV y que cumpla con el Estándar ASTM E84 25/50 de dispersión de llamas/ acumulación de humo.
- H. El juego de cables entre las unidades interior y exterior no deberá superar la diferencia de longitud máxima y de altura máxima que figuran en la lista. Consulte el siguiente cuadro.

Modelos de Sistema	Líquido	Vapor	Longitud Mínima	Longitud Máxima	Diferencia de Altura Máxima
1U09EH2VHA AW09EH2VHA	1/4 in	3/8 in	6 ft (1.8 m)	66 ft (20 m)	50 ft (15.25)
1U12EH2VHA AW12EH2VHA	1/4 in	3/8 in	6 ft (1.8 m)	66 ft (20 m)	50 ft (15.25)
1U18EH2VHA AW18EH2VHA	1/4 in	1/2 in	6 ft (1.8 m)	83 ft (25.3 m)	50 ft (15.25)

## Parte 4: Requisitos Eléctricos

### 4.1 Suministro Eléctrico

- A. Los requisitos de funcionamiento eléctrico deberán ser de 208/230 voltios de CA, fase simple, 60 hertz. La limitación de voltaje suministrada hacia el exterior deberá ser de 187 ~ 254 voltios.
- B. El suministro de corriente deberá ser instalado de acuerdo con los estándares NEC.

### 4.2 Conexión del Cable hacia el Interior

- A. La conexión del cable entre la unidad(es) interior y exterior deberá ser realizada con un cable de cobre trenzado de 4 conductores - 14 AWG.
- B. La conexión del cable deberá ser continua, sin cortes, a menos que el código local requiera una desconexión de la corriente junto a la unidad interior. Para más especificaciones, consulte la sección 3.1 sobre electricidad en el interior.

# UNIDAD EXTERIOR

## Parte 1: General

### 1.1 Juego de Cables

- A. La unidad Haier Arctic está compuesta por una bobina de condensación con todos los controles cableados previamente que son necesarios para un funcionamiento correcto.

### 1.2 Garantía

- A. La unidad exterior estará cubierta por la garantía de piezas del fabricante. Para acceder a detalles completos de la garantía, consulte el Apéndice.

### 1.3 Calificación de la Presión Sonora

Modelo	Calificación de la Presión Sonora en dB (A)
1U09EH2VHA	53
1U12EH2VHA	53
1U18EH2VHA	54

## Parte 2: Instalación

### 2.1 Condensación

- A. El instalador deberá cumplir con los códigos de edificación locales para el manejo del agua condensada que es producida por la unidad exterior.

### 2.2 Espacios Libres

- A. El instalador deberá seguir las recomendaciones de espacios libres provistas en el Manual de Instrucciones de Instalación.

## Parte 3: Componentes

### 3.1 Bobina

- A. La bobina exterior deberá estar construida con una cobertura hidrofílica de color azul en las aletas de aluminio y poseer una tubería acanalada internamente de cobre, a fin de incrementar el área de la superficie de calor efectivo en un 25%, resultando en mayor eficiencia y ciclos de descongelación más cortos (aprox. 29%).
- B. Se deberá realizar una prueba de presión de las bobinas en fábrica dentro de un rango de 600-650 PSA, a través del método de detección de pérdida de helio, a fin de asegurar que el sistema esté sellado y libre de pérdidas.
- C. La unidad exterior estará cargada de fábrica con el conjunto de pies de línea del refrigerante 410A.

### 3.2 Motor del Ventilador

- A. El motor del ventilador exterior deberá poseer un tipo de motor DCV con velocidad variable y sin escobillas.
- B. El motor del ventilador estará moldeado con resina termoendurecida.
- C. El motor del ventilador contará con cojinetes SRC con lubricación permanente.

### 3.3 Paleta del Ventilador

- A. La paleta del ventilador exterior poseerá el diseño de resina plástica calificado por UL para uso con llamas.
- B. La paleta del ventilador será balanceada en fábrica, a fin de reducir la vibración de la unidad.

### 3.4 Compresor

- A. El compresor será de tipo giratorio con CC y controlado por un inversor A-PAM, a fin de contar con un funcionamiento estable en frecuencia baja y alta.
- B. El compresor poseerá velocidad variable, con capacidad variable.
- C. El compresor poseerá un dispositivo de protección contra sobrecargas interiores.
- D. El compresor usará aceite refrigerante PVE (FV50S) para una mayor efectividad antidesgaste, resistencia superior hasta el bloqueo de la tubería capilar y sin hidrólisis en comparación con el aceite POE.

### 3.5 4WV

- A. La unidad exterior contará con una válvula de inversión de cuatro vías (4WV) para cambiar el modo del sistema de frío a calor.

### 3.6 EEV

- A. El flujo de refrigerante será regulado por una válvula de expansión electrónica (VEE).
- B. El control exterior monitoreará el flujo de refrigerante a través de la válvula de expansión electrónica, usando una bobina operada a pulso.
- C. La válvula de expansión electrónica (EEV) mantendrá el objetivo de 10°F (5.5°C) de recalentamiento.

### 3.7 Olla de la Base

- A. La unidad exterior contará con una olla de la base de acero galvanizado.
- B. La bandeja de la base contará con múltiples agujeros de drenaje ubicados debajo de la bobina y a través de la bandeja, a fin de brindar un drenaje eficiente durante la descarga de la descongelación y para evitar la acumulación de hielo que pueda producir daños.

### 3.8 Calefactor de la Olla

- A. La bandeja de la base de la unidad exterior poseerá un calentador eléctrico tubular para evitar que el agua condensada se congele.
- B. El calentador de la olla será activado y operado por un software cuando la temperatura ambiente sea inferior a 37°F.
- C. El calefactor de la olla estará protegido por un recorte térmico.

# UNIDAD EXTERIOR

## Parte 3: Componentes (continúa)

### 3.9 Tubería de Cobre

- A. Toda la tubería de cobre conectada internamente deberá cumplir con ASTM B280 en relación a la tolerancia de las tuberías.

### 3.10 Materiales de Cercado Exterior

- A. El gabinete exterior deberá ser construido de acero galvanizado en caliente de grado comercial DC51/DC52 con cobertura.

### 3.11 Descongelación

- A. La unidad exterior contará con un sistema de descongelación con ciclo inverso (gas caliente), a fin de maximizar el funcionamiento de la bomba de calor y de minimizar el consumo de energía.

### 3.12 Acumulador

- A. El acumulador deberá estar conectado a la línea de retorno del compresor, a fin de evitar que ingrese líquido refrigerante al compresor durante el funcionamiento

# UNIDAD INTERIOR CON MONTAJE DE PARED

## Parte 1: General

### 1.1 Descripción

- A. La sección interior con montaje de pared completa el sistema cuando es conectada a la unidad exterior adaptada y a las tuberías y cableados suministrados.

### 1.2 Garantía

- A. La unidad interior con montaje de pared estará cubierta por la garantía de piezas del fabricante. Para acceder a detalles completos de la garantía, consulte el apéndice.

### 1.3 Calificación de la Presión Sonora

Modelo	Calificación de la Presión Sonora del Soplador en dB (A) (turbo/ alto/ medio/ bajo/ silencioso)
AW09EH2VHA	42/39/37/28/23
AW12EH2VHA	42/39/37/28/23
AW18EH2VHA	49/47/42/36/34

## Parte 2: Requisitos de Instalación

### 2.1 Condensación

- A. La unidad interior con montaje de pared será enviada con una tubería de condensación de polietileno aislada (5/8" de diám. int.) adherida de fábrica.
- B. La unidad de interior con montaje de pared será enviada con una tubería de drenaje corrugada de 6.5 pies (2m), la cual se conecta a la tubería de drenaje aislada.
- C. La unidad interior con montaje de pared será un drenaje con gravedad.

### 2.2 Espacios Libres

- A. El instalador deberá cumplir con los espacios libres mínimos, ilustrados en el manual de instalación, al instalar la unidad interior.

### 2.3 Montajes

- A. La unidad interior con montaje de pared será enviada con un soporte de pared metálico galvanizado.
- B. El soporte de pared contará con múltiples puntos de anclaje, a fin de brindarle al instalador múltiples opciones para adherir de manera firme la unidad de interior con montaje de pared sobre esta última.
- C. Las herramientas de montaje suministradas deberán ser suficientes para darle el soporte adecuado a la unidad interior.

# UNIDAD INTERIOR CON MONTAJE DE PARED

## Parte 3: Requisitos Eléctricos

### 3.1 Desconexión Eléctrica

- A. La conexión del cable deberá ser continua, sin cortes, a menos que el código local requiera una desconexión de la corriente próxima a la unidad interior.

Modelo	Calificación del Motor del Ventilador (HP)
AW09EH2VHA	0.054
AW12EH2VHA	0.054
AW18EH2VHA	0.094

- B. Si el código local requiere una desconexión, deberá ser del tipo de 3 polos y una vía.

## Parte 4: Componentes

### 4.1 Bobina

- A. La bobina interior deberá estar construida con una cobertura hidrofílica de color azul en las aletas de aluminio y poseer una tubería acanalada internamente de cobre, a fin de incrementar el área de la superficie de calor efectivo en un 25%.  
B. La tubería de cobre deberá poseer micro ranuras, a fin de incrementar las capacidades de transferencia de calor.  
C. Se evaluará que la presión de las bobinas se encuentre en 600~650 PSI, usando un detector de pérdidas de Helio.  
D. La bobina se cargará con nitrógeno seco para un envío a una presión permanente de 70~100 PSI.

### 4.2 Motor del Ventilador

- A. El motor del ventilador exterior deberá estar sellado, relleno de resina y funcionar en CC.  
B. El motor del ventilador contará con cojinetes con lubricación permanente.  
C. El AW09EH2VHA y el AW12EH2VHA contarán con un motor de ventilador y diseño del soplador optimizados para permitir hasta 40 pies de flujo de aire.  
D. El AW18EH2VHA contará con un motor de ventilador y diseño del soplador optimizados para permitir hasta 60 pies de flujo de aire.

### 4.3 Paleta del Ventilador

- A. La paleta del ventilador contará con un soplador anticorrosivo y de flujo transversal.  
B. El ventilador estará diseñado con un diámetro optimizado y un área de la superficie para brindar un flujo de aire silencioso y parejo.

### 4.4 Tubería de Cobre

- A. La bobina estará conectada a una longitud de cobre recocido y aislado.  
B. Los extremos de la tubería contarán con conexiones abocardadas de tipo hembra.

### 4.5 Rejillas de Aire

- A. El aire suministrado será distribuido por rejillas motorizadas tanto horizontales como verticales.  
B. Las rejillas de aire brindarán un ángulo amplio de funcionamiento para un movimiento de flujo de aire tanto horizontal (120°) como vertical (90° desde la parte superior hasta la inferior), a fin de brindar comodidad en la sala hacia cada esquina.

### 4.6 Pantalla

- A. La unidad de interior con montaje de pared deberá poseer una pantalla de temperatura con luz trasera de 4.5 x 1.1, la cual pueda mostrar las temperaturas configuradas o de la sala.  
B. La pantalla también poseerá íconos de colores que representan el modo configurado.  
C. La pantalla podrá ser apagada usando el control remoto inalámbrico.

### 4.7 WiFi

- A. La unidad de interior con montaje de pared poseerá la capacidad de conectarse al WiFi utilizando un adaptador.

### 4.8 Filtro

- A. La unidad interior con montaje de pared contará con filtros de aire extraíbles.  
B. Los filtros de aire se podrán lavar y volver a usar.

### 4.9 Control

- A. La unidad interior con montaje de pared será enviada con un control remoto infrarojo de uso manual (YR-HG).  
B. La unidad interior con montaje de pared será compatible con los controles cableados YR-E17, YR-E16B y QACT17A. El adaptador, WK-B, será usado con la unidad interior cuando se conecte a un controlador cableado.

### 4.10 Sujetador de Instalación

- A. La unidad interior con montaje de pared cuenta con un sujetador incorporado con giro hacia afuera y que actúa como soporte, a fin de permitir un acceso más fácil a la parte trasera de la unidad durante una reparación en la instalación.

# CONTROLES Y ACCESORIOS

## Parte 1: Control Inalámbrico YR-HG

### 1.1 General

- A. El control inalámbrico Haier (YR-HG) será compatible con las unidades de interior Haier con montaje de pared y tipo cassette.
- B. El control inalámbrico (YR-HG) vendrá embalado junto con las unidades de interior Haier con montaje de pared y tipo cassette compacta.

### 1.2 Conexión

- A. El control inalámbrico se conectará usando el infrarojo.

### 1.3 Compatibilidad

- A. El control inalámbrico será compatible con todos los modelos de las unidades de interior con montaje de pared y tipo cassette.

### 1.4 Garantía

- A. La garantía también cubrirá todos los defectos de fabricación o de los materiales del accesorio de la unidad durante un período de 1 año. Haier brindará un controlador nuevo o reparado, a su propia discreción.

### 1.5 Funciones

- A. El control inalámbrico contará con un botón de encendido, botones de modo individuales (calor, frío, seco), temperatura +/-, velocidad del ventilador, ajuste de rejilla vertical y horizontal.
- B. El control inalámbrico contará con la capacidad para configurar una temperatura precisa de  $\pm 1^\circ\text{F}$  ( $\pm 0.5^\circ\text{C}$ ).
- C. El control inalámbrico contará con una luz trasera.
- D. El control inalámbrico contará con un control de rejilla vertical y horizontal.
- E. El control inalámbrico contará con una función de bloqueo para niños.
- F. El control inalámbrico contará con la capacidad de encender/ apagar la pantalla de la unidad interior.
- G. El control inalámbrico contará con funciones de temperatura en Fahrenheit y Celsius.

## Parte 2: Controladores Cableados

### 2.1 General

- A. El control cableado será un control montado en la pared que operará la unidad interior.

### 2.2 Conexión

- A. El control cableado se conectará a una unidad interior, usando el cable de 3 clavijas suministrado.
- B. 2 controles de cableado se podrán conectar a una unidad interior.
- C. Un control cableado simple podrá conectar hasta 16 del mismo tipo de modelo de unidades interiores. Las unidades conectadas funcionarán al unisono como una zona simple.

### 2.3 Compatibilidad

- A. El control cableado será compatible con todas las unidades interiores de Haier. La conexión a una unidad de montaje de pared requiere un adaptador WK-B. Si se conectan múltiples unidades interiores al control, se requerirá un adaptador WK-B para cada unidad interior.

### 2.4 Garantía

- A. La garantía también cubrirá todos los defectos de fabricación o de los materiales del accesorio de la unidad durante un período de 1 año. Haier brindará un controlador nuevo o reparado, a su propia discreción.

### 2.5 Funciones del YR-E17

- A. El control cableado operará el encendido, modo (calor, frío, seco), temperatura +/-, velocidad del ventilador.
- B. El control cableado contará con la capacidad para configurar una temperatura precisa de  $\pm 1^\circ\text{F}$  ( $\pm 0.5^\circ\text{C}$ ).
- C. El control cableado contará con una luz trasera.
- D. El control cableado contará con un control de rejilla vertical y horizontal.
- E. El control cableado contará con una función de bloqueo para niños.
- F. El control cableado contará con funciones de temperatura en Fahrenheit y Celsius.
- G. El control cableado contará con la capacidad para exhibir la temperatura ambiente interior.
- H. El control cableado contará con un recordatorio de Limpieza del Filtro.
- I. El control cableado exhibirá códigos de error.

### 2.6 Funciones del YR-E16B

- A. El control contará con una pantalla en color.
- B. El control cableado contará con un botón de encendido, botones de modo individuales (calor, frío, seco), temperatura +/-, velocidad del ventilador, ajuste de rejilla vertical y horizontal.
- C. El control cableado contará con la capacidad para configurar una temperatura precisa de  $\pm 1^\circ\text{F}$  ( $\pm 0.5^\circ\text{C}$ ).
- D. El control cableado contará con una luz trasera.
- E. El control cableado contará con un control de rejilla vertical y horizontal.
- F. El control cableado contará con una función de bloqueo para niños.
- G. El control cableado contará con funciones de temperatura en Fahrenheit y Celsius.
- H. El control cableado contará con la capacidad para exhibir la temperatura ambiente interior.
- I. El control cableado contará con un recordatorio de Limpieza del Filtro.
- J. El control cableado exhibirá códigos de error.
- K. El control cableado podrá ser programado sobre configuraciones diarias o semanales. Estas configuraciones se podrán aplicar al modo y la temperatura.



# CONTROLES Y ACCESORIOS

## Parte 2: Controlador Cableado (continúa)

### 2.7 Características de QACT17A

- A. El control cableado contará con botones físicos grandes para un uso fácil.
- B. El control cableado contará con un botón de encendido, un botón de modo (calor, frío, deshumidificar), un botón de velocidad del ventilador, un botón para incrementar la temperatura y un botón para reducir la temperatura.
- C. El control cableado contará con la capacidad para configurar una temperatura precisa de  $\pm 1^{\circ}\text{F}$  ( $\pm 0.5^{\circ}\text{C}$ ).
- D. El control cableado contará con una luz trasera.
- E. El control cableado contará con un control de rejilla vertical y horizontal.
- F. El control cableado contará con una función de bloqueo para niños.
- G. El control cableado contará con funciones de temperatura en Fahrenheit y Celsius.
- H. El control cableado contará con la capacidad para exhibir la temperatura ambiente interior.
- I. El control cableado contará con un recordatorio de Limpieza del Filtro.
- J. El control cableado exhibirá códigos de error.
- K. El control cableado contará con un receptor infrarrojo para recibir comandos desde un control remoto manual Haier.

## Parte 3: Adaptador WiFi QAWF01A

### 3.1 General

- A. El adaptador WiFi QAWF01A se conectará a la aplicación de un dispositivo inteligente que brindará al usuario la capacidad para configurar el modo, temperatura y velocidad del ventilador de la unidad interior.

### 3.2 Conexión

- A. El adaptador WiFi se conectará a la unidad montada en la pared interior a través de un puerto USB.
- B. El adaptador WiFi contará con una aplicación compatible tanto con iOS como con Android.
- C. El adaptador WiFi será emparejado con la red existente 2.4GHz.
- D. El adaptador WiFi cumplirá con la parte 15 de las reglas de la FCC.

### 3.3 Compatibilidad

- A. El adaptador WiFi será compatible con todas las unidades interiores con montaje de pared.

### 3.4 Garantía

- A. La garantía también cubrirá todos los defectos de fabricación o de los materiales del accesorio de la unidad durante un periodo de 1 año. Haier brindará un controlador nuevo o reparado, a su propia discreción.

### 3.5 Funciones

- A. El adaptador WiFi será compatible con Google Home.
- B. El adaptador WiFi será compatible con Amazon Alexa.
- C. El dueño del hogar contará con la capacidad para instalar y configurar el adaptador WiFi.

## Parte 4: WK-B Kit de Interface

### 4.1 General

- A. El adaptador WK-B será usado al conectar un controlador cableado a una unidad interior con montaje de pared.

### 4.2 Conexión

- A. El adaptador WK-B se conectará a la unidad interior a través de un cable de 3 clavijas suministrado.
- B. El controlador cableado se conectará al WK-B a través de un cable de 3 clavijas suministrado.

### 4.3 Compatibilidad

- A. El adaptador WK-8 será compatible con todas las unidades mini-split y multi-split con montaje de pared de Haier.
- B. El adaptador WK-B será compatible con los controladores cableados YR-E17, YR-E16B y QACT17A de Haier.

### 4.4 Garantía

- A. La garantía también cubrirá todos los defectos de fabricación o de los materiales del accesorio de la unidad durante un periodo de 1 año. Haier brindará un controlador nuevo o reparado, a su propia discreción.



# GARANTÍA LIMITADA

Para los modelos de los productos que figuran en el Adjunto 1 (el "Producto"), esta Garantía Estándar Limitada es provista al Dueño Original del Producto:

For The Period Of:	Haier Will Replace:
Garantía limitada de piezas de 5 años desde la fecha de compra	Esta garantía cubre todos los defectos de fabricación o de los materiales de las piezas mecánicas y eléctricas pertenecientes al Producto ("Piezas Defectuosas") durante un período de 5 años desde la Fecha de Compra. Haier le proveerá piezas nuevas o reparadas, o el reemplazo de toda o parte de la unidad, a su propia discreción, a su técnico de instalación con licencia de HVAC. Esta garantía también cubre todos los defectos de fabricación o de los materiales del control de la unidad durante un periodo de 1 año. El control remoto cuenta con una garantía de accesorios con cobertura por 1 año. El sistema sin conducto está cubierto por la garantía estándar. Haier brindará un controlador nuevo o reparado, a su propia discreción.
Garantía del compresor de 7 años a partir de la fecha de la compra original.	El compresor perteneciente a este producto posee garantía por un período de 7 años desde la Fecha de Compra. Haier le proveerá un compresor nuevo o uno reparado, o el reemplazo de toda o parte de la unidad, a su propia discreción, a su técnico de instalación con licencia de HVAC.

## CUÁL ES LA FECHA DE COMPRA

La "Fecha de Compra" es la fecha en que la instalación original fue completada y todos los procedimientos de inicio del Producto fueron adecuadamente completados y verificados en la factura del instalador. Si la fecha de instalación no puede ser verificada, entonces la Fecha de Compra será de sesenta (60) días luego de la fecha de fabricación, de acuerdo con lo determinado por el número de serie del Producto. Usted deberá guardar y poder brindar su recibo de venta original entregado por el instalador como prueba de la Fecha de Compra. En una edificación nueva, la Fecha de Compra será la fecha en que el dueño le compró la residencia al constructor.

## QUIÉN ESTÁ CUBIERTO

Ocupado por el dueño: El "Dueño Original" de este producto, lo cual significa el dueño original (y su cónyuge) de la residencia donde el Producto fue originalmente instalado. Sujeto a la ley del estado o provincia donde el Producto fue instalado, esta garantía no es transferible a dueños subsiguientes o si el Producto es trasladado a una residencia diferente luego de su instalación inicial. Ocupado por alguien que no es el dueño: Esta garantía es provista para el Producto 1) instalado en a) construcciones residenciales ocupadas por una familia o varias familias que no son dueñas, o b) aplicaciones comerciales no industriales, (tales como edificios de oficinas, establecimientos minoristas, hoteles/ moteles) donde el Producto no está sujeto a un ambiente con elementos corrosivos o altos niveles de partículas (tales como hollín, aerosoles, humos, grasa), y 2) si el producto es mantenido anualmente por un técnico con licencia de HVAC (se requiere prueba de mantenimiento anual). El "Dueño Original" del producto se refiere al dueño original de la edificación donde el producto fue instalado originalmente. En el caso de construcciones nuevas, quien le compró la edificación al constructor también será considerado un Dueño Original. Esta garantía no es transferible a dueños subsiguientes o si el producto es trasladado a una ubicación diferente luego de la instalación inicial.

## CÓMO ACCEDER AL SERVICIO TÉCNICO

CoComuníquese con su técnico instalador con licencia de HVAC. Toda la instalación y el servicio deberán ser realizados por un técnico con licencia de HVAC. Si no se solicita el servicio de un técnico con licencia de HVAC para la instalación de este Producto, se anulará toda la garantía sobre este Producto.

## ESTA GARANTÍA NO CUBRE

- Daños por una instalación inadecuada.
- Daños durante el envío.
- Defectos que no sean de fabricación (es decir: fabricación o materiales).
- Daño por uso inadecuado, abuso, accidente, alteración, falta de cuidado adecuado y/o mantenimiento regular, o voltaje o corriente eléctrica incorrecta.
- Daño resultante de inundaciones, incendios, viento, iluminación, accidentes o condiciones similares.
- Daños de instalación u otros servicios realizados por otra persona que no sea el técnico con licencia de HVAC.
- Trabajo o servicios relacionados con la reparación o instalación del Producto.
- Un Producto comprado a un vendedor minorista a través de Internet.
- Daño como resultado de exponer el Producto a un ambiente con materiales corrosivos o altos niveles de partículas (tales como hollín, aerosoles, gases, grasa).
- Un Producto vendido y/o instalado fuera de los 50 Estados Unidos, el Distrito de Columbia o Canadá.
- Baterías del control remoto u otros accesorios provistos con el Producto para su instalación (por ejemplo: manguera plástica).
- Mantenimiento normal, tal como limpieza de bobinas, limpieza de filtros, y lubricación.
- En el caso de un Producto instalado en aplicaciones ocupadas por personas que no son dueños, un Producto que no haya sido mantenido anualmente por un técnico con licencia de HVAC (prueba requerida)..

Grapa tu recibo aquí. Se necesita comprobante de la fecha de compra original para obtener servicio bajo la garantía

ESPAÑOL

# GARANTÍA LIMITADA

## GARANTÍA LIMITADA ESTÁNDAR REGISTRADA POR 10 AÑOS

Todos los "Productos de Interior y Exterior", identificados en el Adjunto 1, registrados por el instalador o el Dueño Original dentro de los 60 días desde la Fecha de Compra recibirán una Garantía Limitada Estándar Registrada, la cual será idéntica a la Garantía Estándar Base, excepto que la Garantía de Piezas Limitada tendrá validez por el término de 10 Años y la Garantía Limitada del Compresor será por un término de 10 años. Cualquier Producto que no sea registrado dentro de los 60 días desde la Fecha de Compra estará sujeto a la Garantía Estándar Base. Algunos estados y provincias no permiten que los términos de las garantías estén sujetos a un registro; en dichos estados y provincias se aplican los términos más prolongados para la Garantía Limitada de Piezas y la Garantía Limitada del Compresor.

## **ESTA GARANTÍA LIMITADA REEMPLAZA A CUALQUIER OTRA GARANTÍA, EXPRESA O IMPLÍCITA, INCLUYENDO LAS GARANTÍAS DE COMERCIABILIDAD O IDONEIDAD PARA UN PROPÓSITO PARTICULAR.**

La solución provista en esta garantía es exclusiva y es garantizada en lugar de todas las demás soluciones. Esta garantía no cubre daños incidentales o consecuentes. Algunos estados y provincias no permiten la exclusión de daños incidentales o consecuentes, de modo que es posible que esta limitación no se aplique en su caso. Algunos estados y provincias no permiten limitaciones en relación a la duración de una garantía implícita, de modo que es posible que esta limitación no se aplique en su caso. Esta garantía le da derechos legales específicos y es posible que tenga otros derechos legales que varían entre estados y provincias. Esta garantía cubre las unidades que se encuentran dentro de los 50 Estados Unidos, el Distrito de Columbia y Canadá. Esta garantía es provista por GE Appliances a Haier *company*, Louisville, KY 40225.

### ADJUNTO 1:

El "Producto" se define como Unidades Dividless Split de la marca Haier. El "Producto" contiene 2 subcategorías de productos: "Productos para interiores y exteriores" y "Productos de instalación seleccionados", que se definen a continuación: "Productos para interiores y exteriores" pueden identificarse mediante las siguientes descripciones de números de modelo: 1U \*, 2U \*, 3U \*, 4U \*, AB \*, AD \*, AL \*, AM \*, AW \*, AF \*, MVA \* MVH \* "Productos de instalación seleccionados", identificados por las siguientes descripciones de números de modelo: PB- \* FQG - \*, AH1- \*, MS1- \* y MS3- \*