
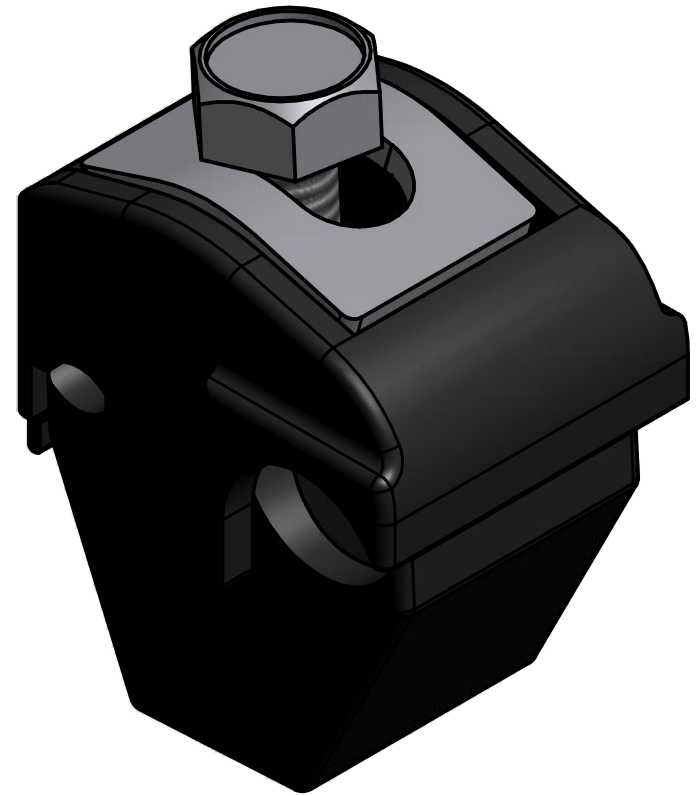


SCREW: SEE CHART	MATERIAL: NONE	REV: B		
CAT. NO.: IPC-4/0-6 & IPC-4/0-6-B	PLATING: NONE	DRAWN BY: JG	SCALE: 2=1	
INFORMATION SHEET: FORM 66	MARKING: NONE	DATE: 2/11/2008	SIZE: A	
			800-776-9775 www.ilsco.com	
			DWG. NO. <b>K0448</b>	
			SHEET: 1 OF 1	

DESCRIPTION	IPC-4/0-6		IPC-4/0-6-B	
	COMPONENT	QTY/EA	COMPONENT	QTY/EA
MOLDED BODY (TOP AND BOTTOM)	130258	1	130258	1
TEETH (SN PLATED/BRBD)	130174	2	130174	2
BOTTOM PLATE (ZN PLATED/TAPED/DRILLED)	130031	1	130031	1
TAP LABEL	100170	1	100170	1
RUN LABEL	100169	1	100169	1
BOLT M10 X 1.5 X 2 7/8	130257	1	130257	1
BOX	100368	.083	CCR0512	.167
END CAP	130273	1	130273	1
PLASTIC BAG			CBR1428	1



SCALE 2 : 1